



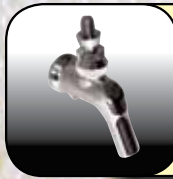
Quick Chill Catalog

Effective 03.15.2011

PERLICK
GENERATIONS OF EXCELLENCE



Made in the U.S.A.



FAUCETS, SHANKS & FAUCET ACCESSORIES

page 4-8



TUBING, FITTINGS, HOSE CLAMPS, HOME DISPENSING, ETC.

page 24-28



KEG COUPLERS & REPLACEMENT PARTS

page 8-13



FISH EYE PREMIUM BRAND ID BADGES

page 29



TEST COUPLERS & THERMOMETERS

page 14



AIR COOLED DISPENSING SYSTEM

page 32



BEER LINE CLEANING EQUIPMENT

page 15-16



POWER PAKS, GLYCOL & ACCESSORIES

page 33



PICNIC PUMPS & REPLACEMENT PARTS

page 17-19



TRUNK HOUSING

page 34



REGULATORS & BEER PUMP PANELS

page 20-21



DISPENSING HEADS

page 35-44



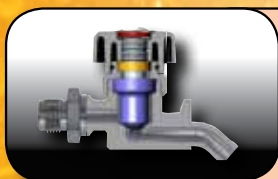
AIR/GAS DISTRIBUTION EQUIPMENT

page 22-24



DRAINERS & DRIP PANS

page 45



BREWERY FITTINGS

page 46-49



Order Online

Perlick's new tapping catalog website makes ordering easy! Order 24 hours a day, 7 days a week.

www.perlick.com



Order By Phone

Speak with one of our representatives to find the parts you need by calling our toll-free number.

1-800-558-5592

Ordering Information

Order online 24 hours a day 7 days a week. By phone via our toll free number between 8:00pm and 4:30pm CST. Handling and shipping charges with appropriate sales tax will be added to the invoice. Freight is F.O.B. Milwaukee, Wisconsin.

Warranty

Perlick products are guaranteed against defects in both material and workmanship for a period of one year from date of sale. Defective parts will be replaced on a no-charge basis, F.O.B. our factory, when adjudged defective upon inspection. We are not responsible for parts damaged by alteration, unauthorized service, accident or abuse. All costs incident to replacement, to include freight, labor and/or loss of sales, must be borne by the user.

Terms Net 30 Days

Payment by Visa, MasterCard or Discover card accepted or cash in advance unless prior accommodations have been made with our credit department. Invoices are payable in full in thirty (30) days following the invoices date of issuance. If by the terms of sale credit is extended, Perlick reserves the right to revoke such credit if buyer fails to pay for any products when due and may demand payment prior to the commencement of any further shipment.

Please note:

**MINIMUM BILLING INVOICE AMOUNT IS \$40.00
FOR PHONE AND FAX ORDERS**

Return of Merchandise

Do not return any merchandise without our approval. Merchandise returned without a return merchandise authorization number will not be accepted at Perlick. Used, discontinued, and made-to-order items cannot be returned for credit. Items returned must be in new condition and packaged in their original carton or crate. Freight charges must be prepaid on all return shipments.

Lost and Damaged Merchandise

THE RESPONSIBILITY OF THE PERLICK CORPORATION CEASES UPON ACCEPTANCE OF ITS PRODUCTS BY THE CARRIER. Any damage or loss sustained in shipment is the carrier's responsibility. Before giving the carrier a clean receipt at time of delivery, make sure you receive every item on the bill and inspect every carton, crate and box for concealed damage, i.e., broken boards, crushed or punctured cartons, torn cardboard. IF ANY ITEMS ARE SHORT OR DAMAGED, DO NOT ACCEPT THE SHIPMENT UNLESS THE CARRIER MAKES A NOTATION OF THIS ON YOUR FREIGHT BILL. Then request an inspection. Do not destroy the packing materials. If their agent does not make an inspection within five days, advise the carrier via letter that you notified them regarding the matter and they have failed to act. You will need this letter to support your claim. Then file a claim for your loss. When you give the carrier a clean receipt, you accept the total responsibility for the shipment. UPS shipments are insured individually and UPS will replace all merchandise that is lost or damaged.





STAINLESS STEEL PERL BEER FAUCETS



STANDARD BEER FAUCETS

Brass body, Chrome-plated Faucet with all the features of the Perl Faucet at a great price. The knob is sold separately. Packed one to a carton.



525 Beer Faucets			
Part No.	Description	List Price 1-24	List Price 25-Over
525PC	Standard Chrome Plated Perl Beer Faucet	33.00	31.00

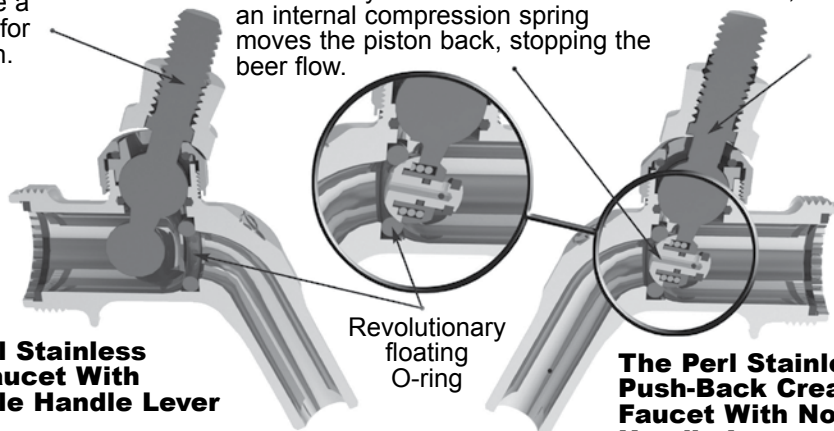
PERL BEER FAUCETS

The stainless steel Perl faucet is unique in both appearance and function. It's revolutionary Perl ball and floating O-ring design eliminates the need for a valve shaft. Internal parts are not exposed to air so the handle lever doesn't stick and there is no build up of mold and bacteria in the faucet body. The Perl faucet has fewer internal parts for better reliability and fewer service calls. A polished interior produces a smooth flow with less foaming. The knob is sold separately. Packed one to a carton.



525 & 575 Beer Faucets			
Part No.	Description	List Price 1-24	List Price 25-Over
525SS	Stainless steel beer faucet	60.50	58.50
525SSTF	Stainless steel beer faucet with tarnish-free brass exterior	69.00	66.50
575SS	Stainless steel beer faucet with push-back creamer feature to add foam	66.75	64.50
575SSTF	Stainless steel beer faucet with tarnish-free exterior & push-back creamer feature to add foam	78.50	75.50

All Perl faucets include a stainless steel handle for strength and sanitation.



Pushing the Perl handle back moves a stainless steel piston, exposing small holes. The turbulence created by beer passing through the holes produces a creamy head. When the handle is released, an internal compression spring moves the piston back, stopping the beer flow.

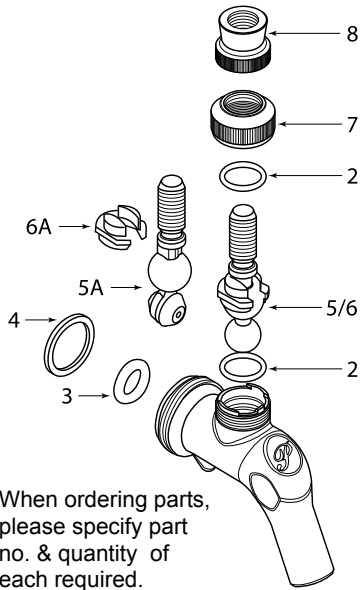
The push-back creamer faucet enables the operator to pour the precise amount of foam every time.

The Perl Stainless Steel Faucet With Rotatable Handle Lever

The Perl Stainless Steel Push-Back Creamer Faucet With Non-Rotatable Handle Lever



FAUCET REPLACEMENT PARTS — 525 & 575 SERIES



When ordering parts, please specify part no. & quantity of each required.

525 & 575 Series Replacement Parts					
Item	Part No.	Faucet Style	Description	List Price 1-24	List Price 25-Over
2	425-8	525SS	"O" ring	\$.23	\$ 0.13
3	43838	525SS	"O" ring seat	0.09	0.05
4	308-3-2P	525SS	Coupling gasket	0.45	0.24
5	68157-1	525SS	Handle lever	5.75	5.24
5A	67030	575SS	Handle lever assembly	20.60	16.48
6	67382-1	525SS	Bearing cup	2.41	2.20
6A	67382-1	575SS	Bearing cup	2.41	2.20
7	43835-2 43835-2TF	525SS	Compression bonnet chrome Tarnish-free compression bonnet	2.58 6.44	2.06 5.15
8	408A-16 408A-16TF	525SS	Handle jacket chrome Tarnish-free handle Jacket	5.15 12.88	4.12 10.30

IMPORTED STOUT AND ALE FAUCET

TARNISH-FREE POLISHED BRASS FAUCETS

Throw away your brass polish. Perlick tarnish-free polished brass faucets stay looking like new without tedious polishing. All Perlick beer faucets are designed to be the best faucets available on the market today. And they're made in the USA.

- Smooth bore spout and interior to reduce foaming.
- Teflon friction ring for smooth, easy operation
- Brass or stainless lever handle.

Available in polished chrome, polished brass, tarnish-free polished brass or nickel-plated. Furnished less knob. Packed one to a carton. Shipping Weight: 8 oz.



No. 408XTF



No. 63927

Part No.	Description	List Price
63927	Stout & Ale Faucet stainless steel body and spout	\$ 191.00
63928	Stout & Ale Faucet brass plated stainless steel body and stainless steel spout	191.00

Beer Faucets	Part No.	Description	List Price	
			1-24	25-Over
	408X	Polished chrome w/brass lever handle	\$ 38.68	\$ 37.39
	408XPB	Polished brass w/brass lever handle	40.99	39.19
	408XTF	Tarnish-free brass w/brass lever handle	56.77	56.24
	410X	Polished chrome w/st. st. lever handle	45.22	43.00
	410XPB	Polished brass w/st. st. lever handle	46.97	44.81
	410XTF	Tarnish-free brass w/st. st. lever handle	62.52	59.74

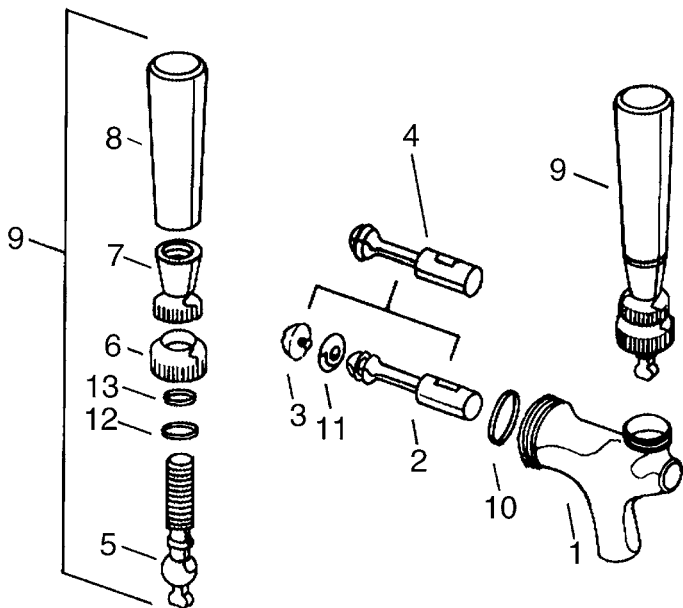
SULLI PLUGS

Plastic plug tightly seals faucet when not in use. Nylon brush provides additional cleaning.



Part No.	Description	List Price
63929	Sulli plugs	\$ 9.17

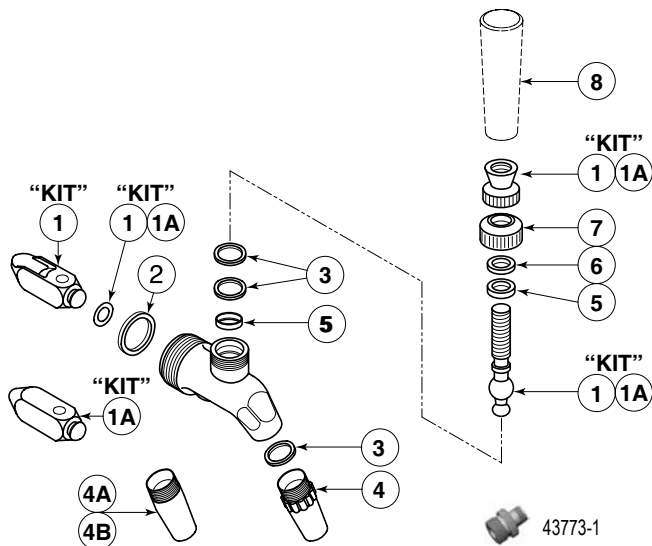
FAUCET REPLACEMENT PARTS - 408 AND 410 SERIES



Item	Part No.	Description	List Price 1-24	List Price 25-Over
1	308-1X*	Faucet body	\$ 39.86	\$ 37.13
2	408-2A*	Shaft	12.05	10.98
3	308-10N	Screw	2.11	1.44
4	43473-26*	Shaft assembly	13.80	12.46
5	408-27	Handle lever (brass)	5.34	5.25
5	410-27	Handle lever (st. st.)	8.24	7.58
6	408-15*	Compression bonnet	4.17	3.66
	408-15PB*	Compression bonnet polished brass	4.27	3.86
	408-15TF*	Compression bonnet tarnish free	10.56	9.33
7	408-16*	Collar	6.28	5.67
	408-16TF	Tarnish-free collar	12.88	10.30
8	308-38	Knob	3.71	3.30
9	408-25*	Handle assy. for No. 408	21.94	20.70
10	308-3-2P	Coupling gasket	0.45	0.24
11	307-3-2P	Seat washer	0.59	0.38
12	308-55	Friction ring	0.62	0.29
13	307-8-2P	Bonnet washer	0.42	0.16

*Add PB for polished brass, TF for tarnish-free brass. Call Perlick for pricing.

FAUCET REPLACEMENT PARTS — 425 SERIES



NOTE:
WHEN PURCHASING A KIT, USE ALL KIT PARTS TO REPLACE OLD EXISTING FAUCET PARTS.

Item	Part No.	Description	List Price 1-24	List Price 25-Over
1	43816	Kit with plastic shaft	\$ 17.10	---
1A	43816SS	Kit with st. st. shaft	25.03	---
1	43816TF	Kit with plastic shaft & TF brass handle jacket	22.15	---
1A	43816SSTF	Kit with st. st. shaft & TF brass handle jacket	30.64	---
2	308-3-2P	Coupling gasket	0.45	0.24
3	425-8	O-ring (3 places)	0.23	0.13
4	425-3A	Spout (plastic)	6.20	5.22
4A	425-3	Spout (st. st.)	8.96	7.85
4B	425-3TF	Spout (tarnish-free)	15.16	14.42
5	425-5	Bearing cups (2 places)	0.79	0.53
6	307-8-2P	Bonnet washer	0.42	0.16
7	408-15	Bonnet (chrome)	4.17	3.66
7	408-15TF	Bonnet (tarnish-free)	10.56	9.33
8	308-38	Knob (not Included)	3.71	3.30
	43773-1	Cleaning adapter	21.63	20.55



BEER FAUCET SHANKS and ACCESSORIES



FAUCET SHANKS 1/4" I.D. BORE FOR 408/410/425 SERIES FAUCETS



No. 63799-6



Part No.	Length	List Price
63799-3	3"	\$ 25.75
63799-4	4"	32.96
63799-6	6"	43.62
63799-8	8"	54.85
63799-10	10"	73.13
63799-12	12"	75.71

Stainless Steel		
63799-3SS	3"	\$ 33.99
63799-4SS	4"	34.71
63799-6SS	6"	47.38
63799-8SS	8"	63.86

Shank Parts				
Item	Part No.	Description	List Price 1-24	List Price 25-Over
1	134D	Lock nut	\$ 2.95	\$ 2.78
2	307-14SS	Flange stainless steel	6.31	6.10
2	307-14TF	Flange tamish-free brass	27.97	27.47
3	308-14	Coupling ferrule chrome	5.82	5.05
3	308-14TF	Coupling ferrule tamish-free brass	10.66	9.94
4	308-8	Keeper ring	1.55	1.28
5	308-9	Keeper spring	1.08	0.98

Replacement Shanks for Perlick Glycol Tee Towers & Spacesaver Towers		
Part No.	Description	List Price
C27849	Chrome Shank Assembly	\$ 25.75
C27849PB	Brass Shank Assembly	24.72
C27849SS	Stainless Steel Shank Assembly	28.84

Replacement Shank for Perlick Gambrinus Mushroom Towers		
Part No.	Description	List Price
C27859	Chrome Shank Assembly	\$ 28.84
C27859PB	Brass Shank Assembly	26.78

BEER FAUCET LOCK

Tamper-proof and extremely easy to install and remove, Perlick's chrome-plated beer faucet lock features brass tumbler, hardened steel locking hasp and locks that are keyed alike. For use with 307, 425, 408 and 410 faucets only.



No. 308-40B

Beer Faucet Lock			
Part No.	Description	List Price - 1-24	List Price - 25-Over
308-40B	Beer faucet lock	\$ 69.00	\$ 65.40
C293A	Replacement key	3.61	3.09

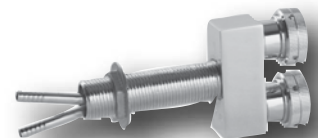
BEER MECHANIC'S COMBINATION WRENCH

Six tools in one; screwdriver, 1/2" opening for locknut on regulator pressure adjusting screw, 3/4" opening for holding probe on keg coupler, 1" opening for coupling nuts, 11/16" opening for coupling nuts, and spanner end for faucets.



Part No.	Description	List Price 1-5	List Price 6-Over
40106	Combination wrench	\$ 27.19	\$25.98

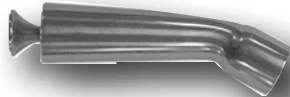
DOUBLE FAUCET SHANKS



Part No.	Description	List Price
63795-2	2" Shank - chrome	\$ 164.80
63795-4	4" Shank - chrome	172.01
63795-6	6" Shank - chrome	177.16
63795-2PB	2" Shank - brass	164.80
63795-4PB	4" Shank - brass	172.01
63795-6PB	6" Shank - brass	177.16

TURBO TAPS

Specify flow rate
1-3 gallons per minute.



No. 375S

Turbo Taps		
Part No.	Description	List Price
375S*	3¾" Turbo Tap - standard	\$ 284.28
575SL*	5¾" Turbo Tap - for pitchers - locking	304.88

* When using Turbo Tap, must order tallest special height tower.
Can only be used with 408X style faucets.

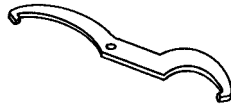


No. 36000F

BEER FAUCET ACCESSORIES



No. 22050-1



No. 308-30

Part No.	Description	List Price 1-24	List Price 25-Over
22050-1	Cleaning adapter	\$ 17.25	\$ 16.48
308-30	Spanner wrench	6.28	6.08

Part No.	Description	List Price 1-5	List Price 6-Over
32492-1	Cleaning adapter for 307 faucets	\$ 42.75	\$ 39.89

PERLICK EKS COUPLERS W/INTEGRAL EMPTY KEG SENSORS

- Keeps beer loss to a minimum
- Speeds service on keg changeovers
- Minimizes overfoaming

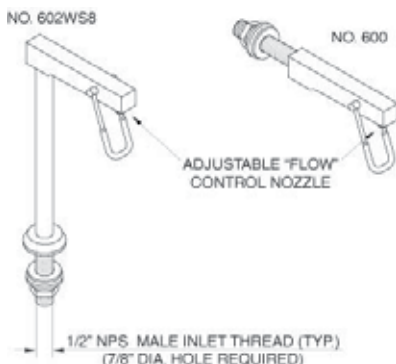
The patented Perlick EKS Coupler* combines an integral Empty Keg Sensor with a quality keg coupler to eliminate the need for wall-mounted FOB devices. It senses when a keg is empty and shuts off the beer flow, yet leaves the line fully charged with beer. This prevents gas from entering an empty line causing excessive foaming when tapping a fresh keg. Packed 25 per case. Weight: 1 lb. 8 oz. each.

Perlick EKS Couplers			
Part No.	Description	List Price 1-24	List Price 25-Over
36000F*	For domestic kegs	\$ 123.00	\$ 117.00
37500F	For imported kegs	127.00	121.00

*U.S. Patent #5,630, 441

PUSHBACK WATER FAUCETS WITH FLOW CONTROL

Part No.	Description	List Price 1-5	List Price 6-Over
600	Faucet & shank for 2½" wall	\$ 126.59	\$ 121.13
602WS8	Faucet and 8" stand	149.73	142.66



UNIVERSAL EMPTY KEG SENSOR



No. 43739A

Controls the amount of beer loss by closing off the beer flow when a keg empties. Mounts directly to the keg coupler for dual probe or imported kegs.

Universal Empty Keg Sensor			
Part No.	Description	List Price 1-5	List Price 6-Over
43739A	Universal empty keg sensor without vent	\$ 84.00	\$ 80.00



KEG COUPLERS & REPLACEMENT PARTS



TruPour Wall Mount Cam Lever FOB Detector

- *Unique patented self sealing vent valve totally prevents accidental waste*
- *Construction is small, stable and user friendly*
- *Functioning is precise and consistent, from first to last pour of every keg*
- *Unique form of mechanical float valve ensures no waste with every keg*



No. 43844C



No. FEX02



No. FEX08

TruPour Wall Mount Cam Lever FOB Detector		
Part No.	Description	List Price
43844	TruPour wall mount FOB detector	\$ 212.00
43844R	TruPour wall mount FOB detector, outlet tube right	212.00
43844C	TruPour wall mount FOB detector w/beer thread inlet & outlet	227.00
43844CR	TruPour wall mount FOB detector w/beer thread inlet and outlet, outlet tube right	227.00

FEX Series		
Part No.	Description	List Price
FEX02	FOB Stainless Steel inlet and outlet	\$ 180.00
FEX08	FOB Stainless Steel w/beer thread inlet and outlet	192.00

Lo-Boy Coupler for Single Valve Domestic Kegs

Uniquely constructed to tap a keg in limited space. Just push down and twist to tap.



Replacement Parts		
Part No.	Description	List Price
63897	Replacement top w/valve assembly	\$ 90.23
63898	Float and "O" ring	42.23
63899	"O" ring kit	42.23

Lo-Boy Coupler for Single Valve Domestic Kegs			
Part No.	Description	List Price 1-24	List Price 25-Over
40030	Lo-Boy	\$ 79.38	\$ 76.76

G-SERIES KEG COUPLERS FOR SINGLE VALVE DOMESTIC AND IMPORTED KEGS

Provided with non-rotating probe in stainless steel or nickel-plated brass. Enlarged bore and wider tip opening produces less turbulence and restriction which allows for reduced line pressure and CO₂ breakout. Nickel-plated, forged brass body with three internally mounted seals. Floating ball check valve equalizes line pressure. Relief valve vents over-pressurized keg. For bent probe design, attach #2036SS elbow to external thread on keg couplers. Optional locking shield prevents accidental untapping. Individually packed, 25 per case. Weight 24 oz. each.



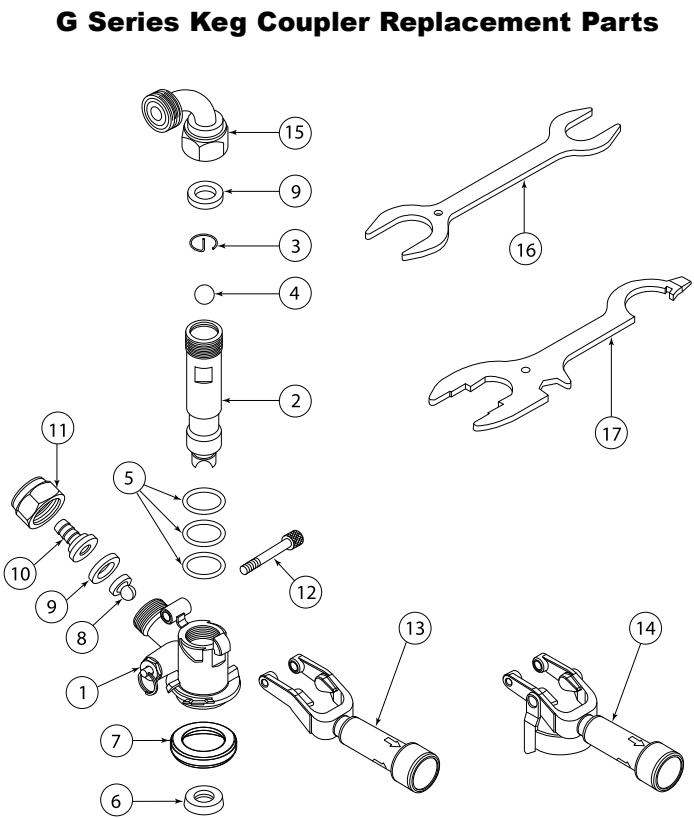
For Domestic Kegs			
Part No.	Description	List Price 1-24	List Price 25-Over
36000G	Probe, brass, less lock	\$ 60.64	\$ 57.75
36000GS	Probe, st. st., less lock	69.04	66.15
36000G1	Probe, brass, with lock	65.10	61.95
36000GS1	Probe, st. st., with lock	73.50	70.88

For Imported Kegs			
Part No.	Description	List Price 1-24	List Price 25-Over
37500G	Probe, brass, less lock	\$ 62.27	\$ 59.33
37500GS	Probe, st. st., less lock	70.67	67.73
37500G1	Probe, brass, with lock	66.68	63.53
37500GS1	Probe, st. st., with lock	75.09	71.91

Gold Handle Couplers			
Part No.	Description	List Price 1-24	List Price 25-Over
36000GAB	Probe, st. st., less lock, *GH	\$ 60.64	\$ 57.75
36000G1AB	Probe, st. st., with lock, *GH	65.10	61.95

Lug Straightener for Single Valve Kegs			
Part No.	Description	List Price 1-5	List Price 6-Over
32695	Lug straightener	\$ 93.22	\$ 89.11

36000G series Keg Coupler Replacement Parts				
Item	Part No.	Description	List Price 1-24	List Price 25-Over
1	65800	Body	\$ 48.00	\$ 45.32
2	40174-1	Probe - domestic brass	14.83	13.91
3	43641-1	Ball stop	1.07	0.80
4	31080-2P	Ball	0.96	0.80
5	31089-2P	"O" ring, 3 per assembly	0.96	0.80
6	31087-2P	Probe washer - domestic	1.19	0.72
7	31088-2P	Bottom seal washer	1.65	0.98
8	23682-2P	Check valve	2.03	1.71
9	157R2P	Washer	0.58	0.25
10	2068-1	Tailpiece	2.66	2.40
11	2026	Coupling nut	1.39	1.29
12	67045-1	Retaining screw	2.47	2.37
13	67042	Yoke assembly standard	33.22	32.03
14	67066	Yoke assembly with lock	25.39	24.41
15	2036SS	Elbow coupling (optional)	18.10	17.24
16	32474-1	Wrench	13.96	13.08
17	40106	Combination wrench (optional)	27.19	25.98



When ordering parts, please specify part No. and quantity of each required.



KEG COUPLERS & REPLACEMENT PARTS



D-SERIES KEG COUPLERS FOR SINGLE VALVE DOMESTIC AND IMPORTED KEGS

Exclusive one-piece rotating probe helps prevent twisting beer lines. Nickel-plated, forged brass body with three internally mounted seals. Floating ball check valve equalizes line pressure. Relief valve vents over-pressurized kegs. Optional locking shield prevents accidental untapping. Individually packed, 25 per case. Weight 24 oz. each.

For Domestic Kegs			
Part No.	Description	List Price 1-24	List Price 25-Over
36000D	Probe, less lock	\$ 63.89	\$ 59.43
36000D1	Probe, with lock	68.36	63.63
36000D2	Bent probe, less lock	95.03	92.40
For Imported Kegs			
Part No.	Description	List Price 1-24	List Price 25-Over
37500D2	Bent probe, less lock	\$ 89.78	\$ 87.15

Gold Handle Couplers		
Part No.	List Price 1-24	List Price 25-Over
36000DAB	\$ 63.89	\$ 59.43
36000D1AB	68.36	63.63

IMPORTED KEG COUPLERS

Imported keg couplers include U.S. thread adapter.

Part No.	Description	List Price
63907	G system for Bass, Anchor Steam and Boddington	\$ 125.00
63909	A system for Warsteiner, Spaten and Paulaner	125.00
63908	U system for Guinness and Harp	125.00



No. 36000D



No. 36000D1



No. 36000D2



No. 63907



No. 63909



No. 63908

KEG COUPLER REPLACEMENT PARTS

26000G Series Replacement Parts

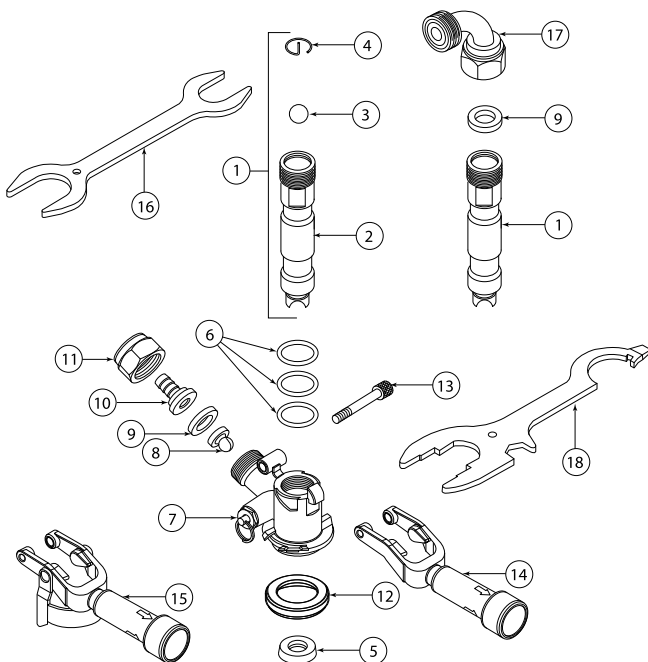
36000D Series Keg Coupler Replacement Parts CURRENT

Item	Part No.	Description	List Price 1-24	List Price 25-Over
1	32499B	Probe assembly	\$ 17.77	\$ 16.48
2	40184-1	Probe body	16.07	14.78
3	31080-2P	Ball	0.96	0.80
4	43641-1	Ball retainer	1.07	0.80
5	31087-2P	Probe washer	1.19	0.72
6	31089-2P	"O" ring, 3 per assembly	0.96	0.80
7	65800	Body	48.00	45.32
8	23682-2P	Check valve	2.03	1.71
9	157R2P	Washer	0.58	0.25
10	2068-1	Tailpiece	2.66	2.40
11	2026	Coupling nut	1.39	1.29
12	31088-2P	Bottom seal washer	1.65	0.98
13	67045-1	Retaining screw	2.47	2.37
14	67042	Yoke assembly standard	25.39	24.41
15	67066	Yoke assembly with lock	33.22	32.03
16	32474-1	Wrench	13.96	13.08
17	2036SS	Elbow coupling (optional)	18.10	17.24
18	40106	Combination wrench (opt.)	27.19	25.98

26000G Series Keg Coupler Replacement Parts OLD STYLE

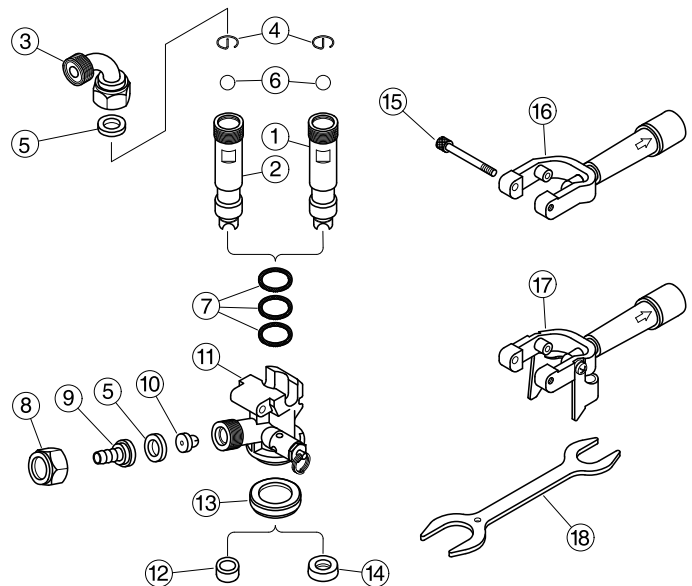
Item	Part No.	Description	List Price 1-24	List Price 25-Over
1	40174-1	Probe - brass	\$ 14.83	\$ 13.91
1	40174-1SS	Probe - stainless steel	32.65	31.26
2	40157-1*	Probe, brass, Imported kegs	19.65	18.63
2	40157-1SS*	Probe, st. st., Imported kegs	43.38	41.61
3	2036SS	Elbow for bent probe, st. st.	18.10	17.24
4	43641-1	Ball retaining spring	1.07	0.80
5	157R2P	Washer	0.58	0.25
6	31080-2P	Ball check	0.96	0.80
7	31089-2P	O-ring (3 per ass'y.)	0.96	0.80
8	2026	Hex nut	1.39	1.29
9	2068-1	Tailpiece	2.66	2.40
10	23682-2P	Check valve	2.03	1.71
11	43061	Coupler body	48.00	45.32
12	31479-1*	Probe washer, imported	2.06	0.82
13	31088-2P	Bottom seal washer	1.65	0.98
14	31087-2P	Probe washer, domestic	1.19	0.72
15	31084-1	Retaining screw	3.09	2.37
16	43001A	Yoke less lock-domestic	25.39	24.41
17	43002A	Yoke with lock- domestic	33.22	32.03
18	32474-1	Wrench	13.96	13.08

Keg Coupler Replacement Parts



*Replacement part used exclusively for Keg Couplers for Imported Kegs.

26000G Series Replacement Parts





KEG COUPLERS & REPLACEMENT PARTS



26000D Series Replacement Parts

26000D Series Keg Coupler Replacement Parts				
Item	Part No.	Description	List Price 1-24	List Price 25-Over
1	32499B	Probe assembly	\$ 17.77	\$ 16.48
2	40184-1	Probe body	16.07	14.78
3	31080-2P	Ball	0.96	0.80
4	43641-1	Ball retainer	1.07	0.80
5	31087-2P	Probe washer	1.19	0.72
6	31089-2P	O-ring (3 per assembly)	0.96	0.80
7	43061	Body	48.00	45.32
8	23682-2P	Check valve	2.03	1.71
9	157R2P	Washer	0.58	0.25
10	2068-1	Tailpiece	2.66	2.40
11	2026	Coupling nut	1.39	1.29
12	31088-2P	Bottom seal washer	1.65	0.98
13	31084-1	Retaining screw	3.09	2.37
14	43002A	Yoke assembly with lock	33.22	32.03
15	43001A	Yoke assembly Standard	25.39	24.41
16	32474-1	Wrench	13.96	13.08

WING HANDLE KEG COUPLER



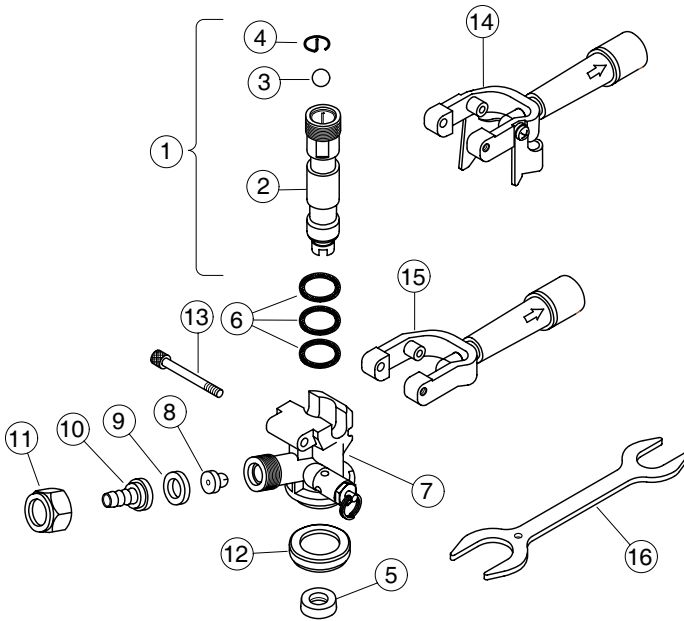
No. 67206



No. 67207

Part No.	Description	List Each	List Each 12-49	List Each 50-Over
67207	w/metal handle	\$ 62.53	\$ 59.56	\$ 56.75
67206	w/plastic handle	51.70	49.61	47.37

26000D Series Replacement Parts





No. 26159C

POCKET THERMOMETER



No. 1595B

Part No.	Description	List Price 1-5	List Price 6-Over
1595B	Digital pocket w/1" dial	\$ 41.34	\$ 38.83

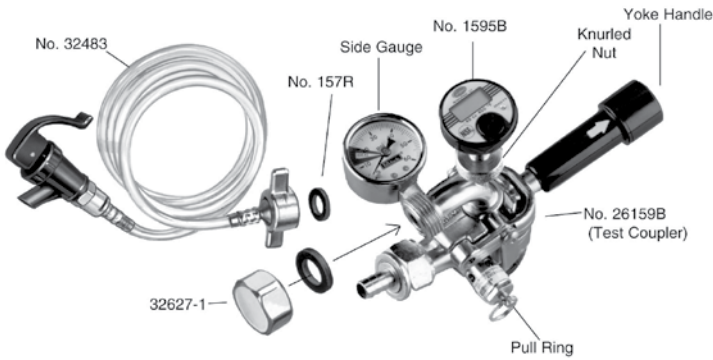
Single Valve Test Coupler

Part No.	Description	List Price
26159C	Test coupler	\$ 216.30

For operating instructions request form number Z2066.

Optional Probe Tip for Import Kegs

Part No.	Description	List Price
31478-1	Optional Probe Tip (for import kegs)	\$ 4.89



Test Kit

Part No.	Description	List Price
32700B	Test Kit (includes test coupler, hose assembly, combination wrench)	\$ 249.23

For operating instructions request form number Z2066.



BEER LINE CLEANING EQUIPMENT



HEAVY-DUTY ELECTRIC BEER LINE CLEANER

- Heavy-duty pump designed for long draw systems.
- Pulsating action breaks down beer stone deposits.
- Pressure regulator limits line pressure to 50 psi reducing potential for damage to beer lines.
- Fully enclosed in protective case.
- Coating on internal parts helps resist chemical damage.



Furnished with a 6 foot inlet filtered line and a 6 foot discharge line with a #22050-1 adapter and shoulder strap.

Part No.	Description	Ship Wt. (lbs.)	List Price
64301	Beer line cleaner	38	\$ 1,644.91
64302	Two wheel cart (for #64301 only)	14	327.54



PUMP-TYPE STERILIZER AND ADAPTERS

Part No.	Description	List Price	List Price
63798	Jar with pump	---	\$ 81.37
Part No.	Description	1-5	6-Over
22050-1	Cleaning adapter for 408X/410X faucet	\$ 17.25	\$ 16.48
186	Double male adapter	29.05	28.33
32492-1	Cleaning adapter for 307 faucet	42.75	39.89



CLEANING KIT

Kit includes a sterilizer w/ faucet coupling, a spanner wrench, a faucet brush, ball lifter and 4 oz. beer line cleaner.

No. 63797

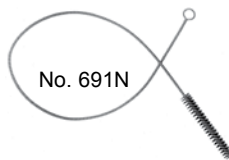
Part No.	Description	List Price
63797	Cleaning kit	\$ 133.90

CLEANING BRUSHES

Individually packed



No. 696AN



No. 691N

Part No.	Description	List Price 1-24	List Price 25-Over
689N	Brush - 5/8" x 36"	\$ 11.85	\$ 11.02
691N	Brush- 3/16" x 46"	13.70	12.72
696AN	Brush - faucet - 7/34"	6.64	6.08

CLEANING ADAPTERS

Single and dual cleaning adapters uniquely designed to operate when Perlick's keg coupler is in the untapped (handle up) position, allowing the system to be cleaned from the faucet through



the keg coupler. Prevents solution from entering the CO₂ line, eliminating beer contamination when retapping. Brass nickel-plated. (Bulk Packed)

Part No.	Description	List Price 1-5	List Price 6-Over
43657*	Single/domestic kegs	\$ 52.79	\$ 49.18
43681*	Dual/domestic kegs	58.50	54.49
43659*	Series/domestic kegs	41.10	38.78
43699	Single/imported kegs	86.52	82.40
43702	Dual/imported kegs	137.51	129.78

*Note: These adapters are designed to be used with all Perlick single valve couplers and most competitor's couplers. Must be used with EKS Couplers when cleaning lines from the faucet through the EKS Coupler.



BEER LINE CLEANING EQUIPMENT



BLC - BEER LINE CLEANER

Concentrated liquid cleaner for beer and beverage lines. Works in all variety of cleaning equipment (pumps, pressure tank, etc). Use 1/2 oz. per quart of water.

No. BLC 32



Part No.	Description	List Each	List Each 12-49	List Each 50-Over
BLC 4	4 oz. Bottle	\$ 4.82	---	\$ 4.34
BLC 32	32 oz. Bottle	18.07	16.14	---
BLC 5G	5 Gallon Container	289.12	---	---

PEN - PENETRATE CLEANER

Powerful liquid cleaner for beer and beverage systems. Formulated for routine cleaning of stubborn systems. Use 1oz. per gallon for routine cleaning.

No. PEN 32



Part No.	Description	List Each	List Each 12-49	List Each 50-Over
PEN 4	4 oz. Bottle	\$ 5.18	---	\$ 4.46
PEN 32	32 oz. Bottle	21.08	18.43	---
PEN 5G	5 Gallon Container	318.03	---	---

ALC - ACID LINE CLEANER

Concentrated liquid cleaner targets calcium oxalate build-up from draft beer systems. Use 1oz. per gallon for routine cleaning. Heavy build-up may require up to 6oz. per gallon.

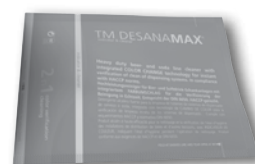
No. ALC 32



Part No.	Description	List Each	List Each 12-49	List Each 50-Over
ALC 4	4 oz. Bottle	\$ 5.18	---	\$ 4.46
ALC 32	32 oz. Bottle	21.08	18.43	---
ALC 5G	5 Gallon Container	318.03	---	---

TM DESANAMAX

Beer line cleaner & verifier. This is a cleaner and verification agent in powder form for all kinds of dispensing installations for beverages. During the cleaning process the color indicates the clean status of the beverage lines.



No. TM1

1.6oz. TM1 Packet is good for mixing 1.2 gallons of solution			
Part No.	Description	List Each	List Each 130-Over
TM1	1.6oz. Packet	\$ 3.62	\$ 3.38
3.2oz. TM3 Packet is good for mixing 2.5 gallons of solution			
Part No.	Description	List Each	List Each 130-Over
TM3	3.2oz. Packet	\$ 5.78	5.55

DAC - DOUBLE ALKALINE CLEANER

Very powerful liquid cleaner for beer and beverage systems. Formulated with twin alkaline compounds for cleaning problematic systems. Use 1oz. per gallon, 4-6 oz. for heavy soil.

No. DAC 32



Part No.	Description	List Each	List Each 12-49	List Each 50-Over
DAC 4	4 oz. Bottle	\$ 5.18	---	\$ 4.57
DAC 32	32 oz. Bottle	21.08	19.16	---
DAC 5G	5 Gallon Container	337.31	---	---

CLEANING JUG - 1.3 GAL

Jug of TM Desanamax Liquid Beer Line Cleaner



Part No.	Description	List Each
TM170	1.3 Gal Jug	\$ 169.95



PARTY PUMPS



No. 40000B



No. 67351-RD

PISTON PARTY PUMPS

Sturdy and easy to use. Has palm-sized handle to pump more air with less effort. Red thermoplastic cylinder; all metal coupler. Convenient vent button to control foaming. Includes two foot vinyl hose with nylon faucet. Easy to disassemble for cleaning. Packed in individual display cartons, 25 per case. Ship Weight: 25 oz. each

For Domestic Kegs		
Part No.	List Price 1-24	List Price 25-Over
40000B	\$ 90.54	\$ 88.84
For Imported Kegs		
40025B	\$ 104.55	\$ 97.34

KEG JACKET

Insulated Keg Jacket w/ slot in top for picnic pump.

Part No.	Description	List Price
67351-RD	Red Vinyl	\$75.29

BELLOWS PARTY PUMP

Unique polyethylene bellows seals out grit. No lubrication or O-rings required. All metal coupler. Convenient vent button to control over-foaming. Includes two foot vinyl hose with nylon faucet. Easy to disassemble for cleaning. Individually packed, 25 per case. Ship Weight: 25 oz. each

For Domestic Kegs		
Part No.	List Price 1-24	List Price 25-Over
40000A	\$ 75.40	\$ 69.73
For Imported Kegs		
40025A	\$ 84.05	\$ 78.80



No. 40000A

PARTY PUMPS

Part No.	Description	List Each	List Each 12-49	List Each 50-Over
67213	SanKey w/ 8" pump	\$ 98.55	\$ 93.96	\$89.61
67214	SanKey w/ 4 1/2" pump	92.07	87.81	83.74
67212	SanKey w/ 4 1/2" pump & metal wing	93.57	89.15	84.91
67211	SanKey w/ 4 1/2" pump & plastic wing	82.64	78.76	75.09
67210	SanKey w/8" pump & plastic wing	89.66	85.50	77.19
67209	SanKey pump w/ plastic wing tap	174.08	165.99	158.25
67208	Deluxe pump less tapping head	117.59	112.19	107.06



#67216

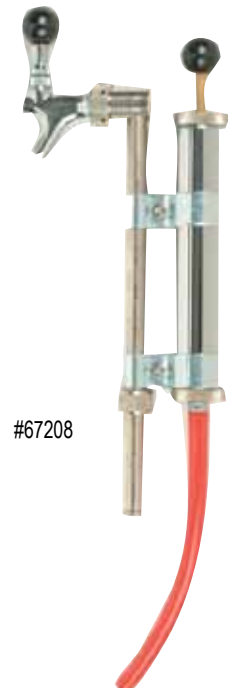
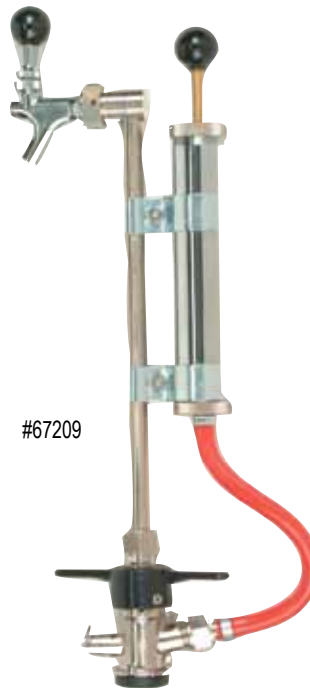


#67215

STAINLESS STEEL COILS

Coils are made of 304 beverage grade stainless

Part No.	Description	List Price
67216	100' x 3/8"OD & 20' x 1/4"OD coil 9" diameter	\$ 353.15
67215	50' x 5/16"OD coil 9" diameter	161.31



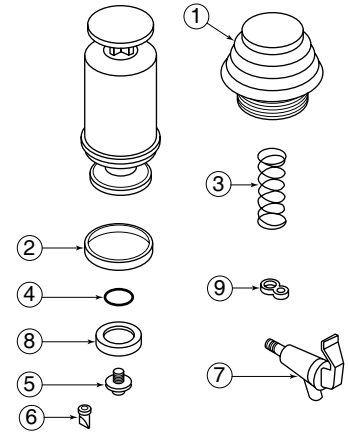


PARTY PUMPS AND REPLACEMENT PARTS



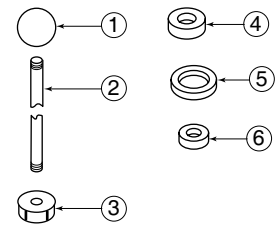
FOR BELLOWS AND PISTON PARTY PUMPS

Item	Part No.	Description	List Price 1-24	List Price 25-Over
1	43318	Bellows (4 per pack)	\$ 19.38	\$ 18.05
2	43437-1	Quad ring	4.17	3.21
3	43003-1	Spring for bellows	1.49	1.19
4	32697-1	Probe O-ring	1.19	0.96
5	32689-1	Probe tip	4.82	4.17
6	32699-1	Check valve	2.88	2.63
7	30040A	Faucet	7.07	6.43
8	31088-2P	Bottom seal washer	1.65	0.98



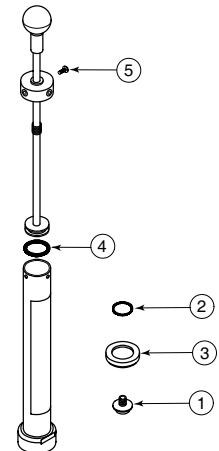
FOR 26750 & 21218 FIXED FAUCET PARTY PUMPS

Item	Part No.	Description	List Price 1-24	List Price 25-Over
1	D10326	Handle	\$ 3.90	\$ 3.75
2	294-5	Shaft	20.23	18.85
3	24719-1	Cylinder cap	4.17	3.64
4	294-6	Cup leather	17.15	16.48
5	31088-2P	Bottom seal washer	1.65	0.98
6	31087-2P	Probe washer - single valve	1.19	0.72



FOR 26750B, 21218A PARTY PUMPS

Item	Part No.	Description	List Price 1-24	List Price 25-Over
1	32689-1	Probe tip	\$ 4.82	\$ 4.17
2	32697-1	O-ring	1.19	0.96
3	31088-2P	Bottom seal washer	1.65	0.98
Item	Part No.	Description	List Price 1-24	List Price 25-Over
4	43784	O-ring (pump piston)	---	0.64
5	M00501-187	Screw (four required)	---	0.80



MIX 'N MATCH REPLACEMENT CYLINDERS FOR BELLOWS OR PISTON PARTY PUMPS

All Perlick Party Pumps use the same high quality base. Cylinders can be interchanged by simply unscrewing the bellows or cylinder and replacing it with the brand of your choice.

Part No.	Description	List Price 1-4	List Price 5-Over
40098	Red	\$ 27.81	\$ 25.85



#40098



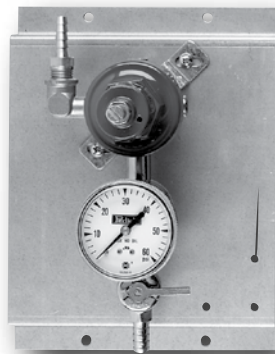
No. 2928F - Twin Gauge



No. 2925C



No. 197F



No. 40091

CARBON DIOXIDE AND MIXED GAS

Maximum usable pressure - 50 psig.

Primary regulators for beer, wine, and soda are equipped with an integral, preset, tamper-proof relief valve. Beer and wine regulators include No. 44CV shut-off valve with built-in check valve. Furnished with a CO₂ connection (CGA320)

Part No.	Description	List Price 1-5	List Price 6-Over
2922F	Single gauge	\$ 115.82	\$ 110.73
2928F	Twin gauge	127.72	123.29
2930E	Twin gauge high pressure for beer pumps	152.00	---

NITROGEN

Maximum usable pressure - 50 psig.

Part No.	Description	List Price 1-5	List Price 6-Over
2923C	Single gauge	\$ 133.13	\$ 127.98
2925C	Twin gauge	153.00	149.00

HIGH PRESSURE

Maximum usable pressure - 125 psig.

Part No.	Description	List Price
43833	Twin gauge high pressure	\$ 153.00

Furnished with nitrogen tank fitting.

CARBON DIOXIDE

Maximum usable pressure - 140 psig.

Part No.	Description	List Price 1-5	List Price 6-Over
195F	Single gauge for soda	\$ 113.20	\$ 107.02
197F	Twin gauge for soda	122.06	118.97

Furnished with a CO₂ connection (CGA320)

REPLACEMENT PARTS

Part No.	Description	List Price 1-24	List Price 25-Over
33-22-2P	Carbonic gas drum coupling gasket	\$ 0.40	\$ 0.19

STEP DOWN REGULATOR

To step down high pressure CO₂ from bulk tank to operating pressure of secondary regulators for beer kegs.

Part No.	Description	List Price
40091A	For bulk CO ₂	\$ 154.00
40091AHP	High pressure for beer pumps-bulk tanks	185.00



SECONDARY REGULATORS BEER PUMP PANELS



MANIFOLDS ONLY

All secondary regulator assemblies are permanently marked with the maximum set pressure for that regulator.



No. 26162E

Part No.	Description	List Price 1-5	List Price 6-Over
26161E	1 Regulator	\$ 117.42	\$ 115.36
26162E	2 Regulators	210.38	200.85
26163E	3 Regulators	294.07	286.34
26164E	4 Regulators	366.94	364.62

THREE OUTLET MANIFOLDS for Single Pump

Attaches to beer pump panel above the pump outlet



Part No.	Description	List Price
40139A	3 Outlet manifold	\$ 106.00

PANEL-MOUNTED MANIFOLD



No. 26172F

Part No.	Description	List Price 1-5	List Price 6-Over
26171F	1 Regulator	\$ 153.47	\$ 146.26
26172F	2 Regulators	241.02	232.78
26173F	3 Regulators	355.35	348.14
26174F	4 Regulators	433.63	422.30

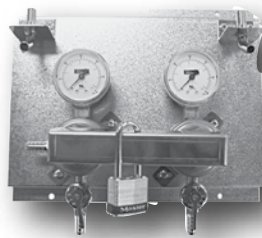


No. 66134-2A

BEER PUMP PANELS

Part No.	Description	List Price
66134-1A	1-Pump panel	\$ 461.00
66134-2A	2-Pump panel	689.00
66134-3A	3-Pump panel	891.00
66134-4A	4-Pump panel	1,076.00

PANEL-MOUNTED MANIFOLD WITH LOCK



No. C27912F

Part No.	Description	List Price 1-5	List Price 6-Over
C27911F	1 Regulator	\$ 183.34	\$ 177.16
C27912F	2 Regulators	286.34	271.92
C27913F	3 Regulators	392.43	373.89
C27914F	4 Regulators	501.61	476.89

CO₂ VENT KITS

Beer pumps are gas driven by either CO₂ or air pressure. If CO₂ gas is used, pump panels must be ordered with CO₂ vent kits. The CO₂ gas must be vented outside the cooler to vent dangerous high concentrations of CO₂ in the walk-in cooler.

Part No.	Description	List Price
63178-1	Vent for 1-Pump panel	\$ 15.71
63178-2	Vent for 2-Pump panel	25.49
63178-3	Vent for 3-Pump panel	31.50
63178-4	Vent for 4-Pump panel	41.00

Replacement Parts for Secondary Regulators

Part No.	Description	List Price 1-5	List Price 6-Over
40115A	Regulator body	\$ 76.22	\$ 72.10

Flojet Pump Replacement Parts

Part No.	Description	List Price
43817	Flojet pump	\$ 125.66
63706	Flow reversal valve	55.00

Pump Cover Panels

66573-1	Single	\$ 120.50
66573-2	Dual	144.00
66573-3	Three	168.00
66573-4	Four	192.50



AIR DISTRIBUTOR WITH SHUT OFF AND 53 LB. SAFETY RELIEF VALVE*

Part No.	Description	List Price 1-5	List Price 6-Over
20852-1	1 Shut off	\$ 75.40	\$ 73.13
20852-2	2 Shut offs	82.71	80.34
20852-3	3 Shut offs	109.29	106.09
20852-4	4 Shut offs	131.53	127.72
20852-5	5 Shut offs	169.74	165.32

SHUT-OFF VALVE

Zinc die cast, nickel plated.



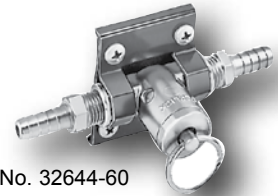
No. 44

Part No.	Description	List Price 1-24	List Price 25-Over
44CV	With check valve	\$ 18.13	\$ 17.30
44	Less check valve	15.45	14.21

*IMPORTANT: Existing safety codes recommend the installation of two safety relief valves in every pressurized beverage system; one in the outlet of the primary regulator and the second in the gas system upstream of the product tanks. If you will use No. 43815-1 as a second relief valve, our entire line of manifolds and secondary regulator assemblies can be ordered without a relief valve. To order without a relief valve, add suffix letters "LV" to part number and deduct \$13.73 from the price.

SAFETY RELIEF VALVE*

5/16" hose tailpiece inlet and outlet



No. 32644-60

Part No.	Description	List Price 1-5	List Price 6-Over
32644-60	60 lb. In-line relief valve	\$ 82.01	\$ 80.00

RETROFIT SAFETY RELIEF VALVE*

1/4" male x 1/4" female NPT



No. 43815-1

Part No.	Description	List Price 1-5	List Price 6-Over
43815-1	53 lb. Retrofit relief valve	\$ 29.87	\$ 28.84



No. 57



No. 59

MISCELLANEOUS ACCESSORIES

Part No.	Description	List Price 1-24	List Price 25-Over
33-22-2P	Carbonic gas drum coupling gasket	\$ 0.40	\$ 0.19
Part No.	Description	List Price 1-5	List Price 6-Over
57	Nickel-plated brass air hose nipple 1/4" pipe thread and 5/16" ID hose	\$ 4.31	\$ 3.97
59	Nickel-plated brass tee for 5/16" ID air hose	8.09	7.21



BEER BLAST N² GENERATOR / AIR/GAS DISTRIBUTION EQUIP.



BEER BLAST N² GENERATOR

Four models to choose from:

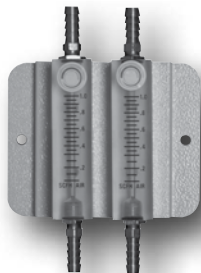
The P200 series N² Generator will dispense up to 4 kegs per hour and the P400 series will dispense up to 8 kegs per hour.

All models include N² generator, 30 gallon nitrogen storage tank, wall mount bracket for N² Generator, and leak detection system.

Option: You have the option to purchase with or without built-in gas blender. You may have existing McDantim blender in that case order without blender.

If ordering with blender, you will get the double blender that gives you 60/40 blend for lager beers and 25/75 for Guinness, Boddington, etc.

Part No.	Description	List
P200LBQC	4 Kegs/Hour Less Blender	\$ 10,371.00
P200QC	4 Kegs/Hour w/Blender	11,874.00
P400LBQC	8 Kegs/Hour Less Blender	12,113.00
P400QC	8 Kegs/Hour w/Blender	13,473.00



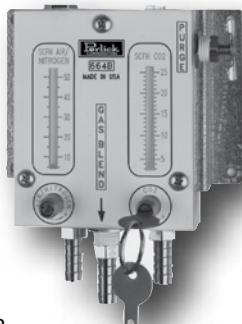
IN-LINE GAS LEAK INDICATOR

Part No.	Description	List Price
67114	In-line leak indicator	\$ 255.44

NITROGEN/CO₂ BLENDER

Includes 20 feet of reinforced poly tubing

Part No.	Description	List Price
664B	Nitrogen/CO ₂ blender	\$ 367.71



No. 664B

AIR GAUGES WITH 2" FACE 1/4" MALE PIPE CONNECTION.



No. 2487R

Right-hand Thread			
Part No.	Description	List Price 1-5	List Price 6-Over
2487R	0-60 lb.	\$ 13.93	\$ 13.28
2488R	0-300 lb.	25.22	23.83
Sidemount (0-3000 Lb.)			
2489ARLH	Left-hand thread	25.22	23.83
Sidemount (0-4000 Lb.)			
2490RLH	Left-hand thread	27.74	26.51
Center Back Connection			
C22228	0-60 lb.	22.50	21.26

MCDANTIM CHECK VALVE TEES

Protect your McDantim Blender from filling with water. This occurs when the blender is on the same gas system as the soda carbonator and the CO2 supply fails or the carbonator doesn't have a back flow preventor.



No. 67289

Part No.	Description	List Price
67289	3/8" Check Valve Tee	\$ 58.71
67288	1/4" Check Valve Tee	56.65
67290	1/4" x 1/4" x 3/8" Check Valve Tee	58.71
67291	1/4" x 3/8" x 3/8" Check Valve Tee	58.71

MCDANTIM'S TRUMIX CO₂-NITROGEN BLENDER

An extremely accurate Nitrogen CO₂ Blender. Available in single or double blend unit preset at the factory. Provided with a 1/4" female pipe thread connection for use with any fitting required.



No. 668

Part No.	Description	List Price
665	Single blender- 40% N ₂ -60% CO ₂	\$ 1,348.00
665-70	Single blender- 30% N ₂ -70% CO ₂	1,348.00
667	Single blender- 75% N ₂ -25% CO ₂	1,348.00
668	Double blender- 75% N ₂ -25% CO ₂ 40% N ₂ -60% CO ₂	2,038.00
668-70	Double blender- 75% N ₂ -25% CO ₂ 30% N ₂ -70% CO ₂	2,038.00
672	Triple Blender - 75% N ₂ - 25% CO ₂ , 40% N ₂ - 60% CO ₂ , 30% N ₂ - 70% CO ₂	2,150.00

VINYL BEVERAGE TUBING BLACK OR TRANSLUCENT

NSF APPROVED - FDA APPROVED MATERIALS

Sold in 100 foot reels only. Priced per foot.



No. 1386BL

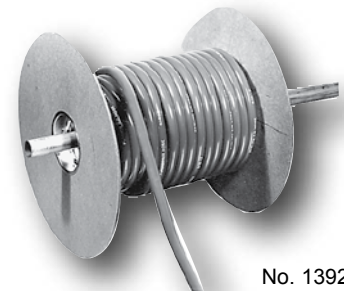
No. 1386TR

Black Part No.	Translucent Part No.	Description	List Price		
			100 Feet	200-400 Feet	500-Over Feet
1384BL	1384TR	3/16" ID	\$ 0.79	\$ 0.72	\$ 0.66
1386BL	1386TR	1/4" ID	0.91	0.83	0.77
1387BL	1387TR	5/16" ID	1.01	0.92	0.84
1388BL	1388TR	3/8" ID	1.12	1.06	0.97
1390BL	1390TR	1/2" ID	1.33	1.26	1.19
1390D*	—	1/2" ID	1.30	1.13	1.07

* Anti-Microbial drain tubing resists bacterial growth and reduces offensive drain odors.

AIR TUBING RED OR TRANSLUCENT

Sold in 100 foot reels only. Priced per foot.



No. 1392R

Red Part No.	Translucent Part No.	Description	List Price		
			100 Feet	200-400 Feet	500-Over Feet
1392R	1392TR	5/16" ID	\$ 1.03	\$ 0.93	\$ 0.82

BRASS NICKEL-PLATED NUT FOR POLY OR VINYL TUBING



No. 2072

No. 2026

Part No.	Description	List Price 1-24	List Price 25-Over
2072	Wing nut	\$ 6.59	\$ 6.44
2026	Hex nut	1.39	1.29



TUBING AND FITTINGS



STAINLESS STEEL HOSE FITTING



Part No.	Description	List Price
C15182-1	1/4" x 1/4" Hose union	\$ 3.50
57040	3/8" x 1/4" Hose union	4.74
C15179-1	3/8" x 3/8" Hose union	9.06
C13090	1/4" x 1/4" x 1/4" Tee	10.20
C33040	3/8" x 3/8" x 3/8" Tee	11.59
C33041	3/8" x 3/8" x 1/4" Tee	11.07
C13135	1/4" x 1/4" x 1/4" x 1/4" Cross	14.68
C33042	1/4" Male flare x 1/4" hose adapter	5.56

BRASS NICKEL-PLATED TAILPIECES FOR VINYL TUBING



No. 2064-1

Part No.	Description	List Price 1-24	List Price 25-Over
2064-1	For 3/16" ID vinyl	\$ 2.66	\$ 2.40
2065-1	For 1/4" ID vinyl	2.66	2.40
2068-1	For 5/16" ID vinyl	2.66	2.40
2066-1	For 3/8" ID vinyl	2.66	2.40
2067-1	For 1/2" ID vinyl	2.66	2.40

STRAIGHT SPLICERS FOR VINYL OR POLY TUBING



No. 2372

Part No.	Description Vinyl	Poly	List Price 1-24	List Price 25-Over
30748-1	—	3/16" to 1/4" ID	\$ 4.58	\$ 4.27
31075-1	—	3/16" to 5/16" ID	4.58	4.27
31076-1	3/16" to 1/4" ID	—	4.58	4.27
2372	3/16" to 3/8" ID	—	5.67	5.00
2373	1/4" to 1/4" ID	—	5.72	5.05
3094	1/4" to 5/16" ID	—	6.44	5.69
2374	1/4" to 3/8" ID	—	5.82	5.20
2375	3/8" to 3/8" ID	—	5.87	5.25

TUBE CUTTER

Bulk packed



Part No.	Description	List Price 1-24	List Price 25-Over
1368	Tubing cutter	\$ 12.98	\$ 12.36

POLY BEVERAGE TUBING OPAQUE

NSF APPROVED - FDA APPROVED MATERIALS



No. 6003

Sold in 100 foot reels only. Priced per foot.

Part No.	Description	List Price		
		100-400 Feet	500-900 Feet	1000 Over Feet
6003	1/4" ID poly	\$ 0.34	\$ 0.32	\$ 0.27
6005	5/16" ID poly	0.45	0.43	0.39
6004	3/8" ID poly	0.63	0.61	0.56



No. 63000B-1

BARRIER TUBING

Sold in 100 foot reels only. Priced per foot.

Part No.	Description	List Price		
		100-400 Feet	500-900 Feet	1000 Over Feet
63000B-1	3/8" ID	\$ 0.62	\$ 0.57	\$ 0.52



No. C14229B

REINFORCED POLY TUBING

Sold in 100 foot reels only.

Part No.	Description	List Price
		Per 100 Feet
C14229B	1/4" ID	\$ 83.00
C14230B1	3/8" ID	94.00



No. C31573



No. C15392



No. C13091-1N



No. C24109-1



No. 61082-1

BRASS NICKEL-PLATED TAILPIECES FOR POLY TUBING



No. 30746-1

Part No.	Description	List Price 1-24	List Price 25-Over
30745-1	For 3/16" ID poly	\$ 8.34	\$ 7.73
30746-1	For 1/4" ID poly	8.34	7.73
31096-1	For 5/16" ID poly	8.34	7.73
30747-1	For 3/8" ID poly	8.34	7.73

COUPLING WASHERS

Bulk packed or in bags of 100.



No. 157R2P

Part No.	Description	List Price 1-24	List Price 25-Over
157L2P	Leather washer	0.54	0.44
157R2P	Rubber washer	0.58	0.25

MISCELLANEOUS FITTINGS

Part No.	Description	List Price
C13091-1N	3/8" coolant loop	\$ 27.40
C24109-1	Stainless steel 3/8" elbow	30.90
C31573	Poly hanger strap kit	50.00
61082-1	Aluminum hanger bracket	4.00
C15392	Adhesive - 1/2 pint can	17.00



HOSE CLAMPS, FITTINGS VINYL CONNECTORS



No. C33037



No. 32659-56



No. 3079

ONE EAR STEPLESS CLAMP

For Vinyl Tubing-Stainless Steel

Part No.	Tubing I.D.	Clamp No.	List Price 1-99	List Price 100+
43805-2	3/16" ID	133	\$ 0.62	\$ 0.54
43805-3	1/4" ID	145	0.62	0.54
C31958	5/16" ID	157	0.62	0.54
C33010	5/16" ID	170	0.62	0.54

ONE EAR STEPLESS CLAMP

For Poly Tubing-Stainless Steel

Part No.	Tubing I.D.	Clamp No.	List Price 1-99	List Price 100+
C33037	1/4" ID	140	\$ 0.62	\$ 0.54
C33053	1/4" ID bundle	105	0.62	0.54
C31958	3/8" ID	157	0.62	0.54
43805-3	3/8" ID bundle	145	0.62	0.54

ONE EAR CLAMP

For Vinyl Tubing - Steel

Part No.	Tubing I.D.	Clamp No.	List Price 1-99	List Price 100+
1359	3/16" ID	133	\$ 0.54	\$ 0.42
1360	1/4" ID	145	0.54	0.42
1361	5/16" ID	170	0.54	0.42
1362	3/8" ID	185	0.54	0.42
1363	1/2" ID	226	0.54	0.42

TWO EAR CLAMP

For Vinyl Tubing - Steel

Part No.	Tubing I.D.	Clamp No.	List Price 1-99	List Price 100+
43803-1	3/16" ID	13	\$ 0.61	\$ 0.46
43803-2	1/4" ID	15	0.61	0.46
43803-3	5/16" ID	18	0.66	0.56
43803-4	3/8" ID	20	0.73	0.58

PLASTIC SNAP CLAMPS

For Vinyl

Part No.	Tubing I.D.	List Price 1-99	List Price 100+
32659-43	3/16" ID	\$ 0.64	\$ 0.56
32659-56	5/16" ID	0.62	0.54

STAINLESS STEEL WORM DRIVE CLAMPS

Part No.	Tubing I.D.	List Price 1-99	List Price 100+
3079	3/16" to 3/8" ID	\$ 1.44	\$ 1.31
3080	3/8" to 1/2" ID	1.44	1.31

ONE EAR CRIMPING TOOL

Part No.	Description	List Price
1358	Pliers with cutout	\$ 52.53
43807-1	Pliers less cutout	46.87



No. 1358

No. 43806



OETIKER CLAMP POCKET KIT

Part No.	Description	List Price
43806	Pocket Kit (contains 15 each 3/16", 1/4" 5/16" and 3/8" clamps - 5 each 3/16" and 1/4" hose menders for vinyl tubing. 1 crimping tool.	\$ 127.21

VINYL CONNECTORS

BLACK OR TRANSLUCENT

No. 43686-72TR

No. 552

Bulk packed



Black Part No.	Translucent Part No.	Description	List Price 1-5	List Price 6-Over
529	529TR	3/16" x 3 1/2'	\$ 15.15	\$ 14.56
530	530TR	3/16" x 4'	15.12	14.70
532	532TR	3/16" x 5'	15.94	15.50
548	548TR	3/8" x 3'	25.80	25.05
550	550TR	3/8" x 4'	27.38	26.63
552	552TR	3/8" x 5'	28.35	27.83
554	554TR	3/8" x 6'	29.78	29.18
556	556TR	3/8" x 10'	35.40	35.40

Translucent Part No.	Description	List Price
43686-72TR	3/8" x 6' Fitting one end	\$ 13.29

WALL BRACKETS



No. 63634



No. 512A2

Part No.	Description	List Price 1-5	List Price 6-Over
512A2	Two threaded ends 3/8" bore	\$ 19.57	\$ 19.00
63634	Single stainless steel bracket 3/8" bore hose tailpiece both ends	6.30	6.00

BEVERAGE LINE FITTINGS



No. 132B



No. 625-2



No. 43818-1

Part No.	Description	List Price 1-5	List Price 6-Over
132B	Distributing Y 3/8" bore	\$ 32.16	\$ 30.72
625-2	Wall mount Y fitting 3/8" bore	51.42	49.73
43818-1	3/8" Bore stainless steel U bend Y fitting	14.00	13.60

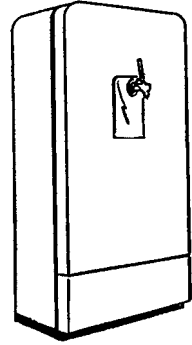
Part No.	Description	List Each
63932	3/8" Bore stainless steel U bend Y fitting, less bracket	\$ 11.85

TAPES

Part No.	Description	List Each
C15393	6 yd. Roll - 1/2" filament tape	\$ 5.00
C15312	60 yd. Roll - 1/2" filament tape	19.00
C15394	6 yd. Roll - 2" clear polytape	9.00
C15311	36 yd. Roll - 2" clear polytape	36.00
C15699	6 yd. Roll - 2" black polytape	10.00
C15698	36 yd. Roll - 2" black polytape	41.00

REFRIGERATOR CONVERSION KITS

Converts a working refrigerator into a draft beer dispenser. Kit Includes a single gauge regulator, 5 lb. CO2 drum, air line, beer faucet with shank, tapping coupler and all necessary fittings.



Part No.	Description	List Price
23875A	For single valve kegs	\$ 442.90

SPLIT LEG APRON

Ideal for heavy work. Waterproof, rubberized thigh pads. Tough, durable and water repellent. Roomy divided breast pocket. Adjustable shoulder and waist straps. Riveted, double-stitched patches. 28" Long x 36" Wide.



Part No.	Description	List Price
3410	Split leg apron	\$ 93.73



FISH EYE PREMIUM ID BADGES

FOR PERLICK DISPENSING TOWER BRAND MEDALLIONS



AB/INBEV BRANDS

#	Part No.	Tubing I.D.	List Price
1	67243-7	Budweiser	\$ 17.80
2	67243-6	Bud Light	17.80
3	67243-5	Bud Light Lime	17.80
4	67243-8	Busch	17.80
5	67243-12	Michelob	17.80
6	67243-35	Michelob Light	17.80
7	67243-13	Michelob Ultra	17.80
8	67243-11	Michelob Amber Bock	17.80
9	67243-1	American Ale	17.80
10	67243-2	Bass	17.80
11	67243-3	Becks	17.80
12	67243-4	Boddingtons	17.80
13	67243-9	Hoegaarden	17.80
14	67243-10	Lowenbrau	17.80
15	67243-14	Stella	17.80

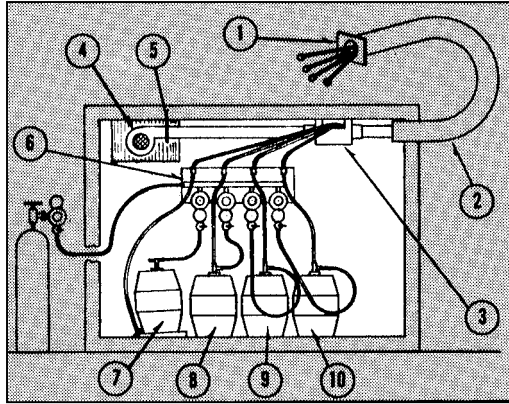
MILLERCOORS BRAND

#	Part No.	Tubing I.D.	List Price
16	67243-21	Coors Light	\$ 17.80
17	67243-22	Coors Banquet	17.80
18	67243-24	George Killian's	17.80
19	67243-30	Molson Canada	17.80
20	67243-20	Blue Moon	17.80
21	67243-29	Miller Light	17.80
22	67243-27	Miller Genuine Draft	17.80
23	67243-28	Miller High Life	17.80
24	67243-26	MGD 64	17.80
25	67243-25	Ice House	17.80
26	67243-23	Fosters	17.80

HEINEKEN BRAND

#	Part No.	Tubing I.D.	List Price
27	67243-19	Heineken	\$ 17.80
28	67243-18	Heineken Light	17.80
29	67243-15	Amstel Light	17.80
30	67243-33	Tecate	17.80
31	67243-17	Dos Equis Lager	17.80
32	67243-16	Dos Equis Ambar	17.80
33	67243-31	Newcastle Brown Ale	17.80
34	67243-32	Newcastle Summer Ale	17.80
35	67243-34	Clear	17.80

Air-cooled beer system efficiency depends on temperature. It is important to use the cooler for beer storage only so that a consistent temperature between 34° and 38° F. can be maintained. The maximum recommended length is 25 feet requiring 1,000 BTU/hr. of additional refrigeration capacity.

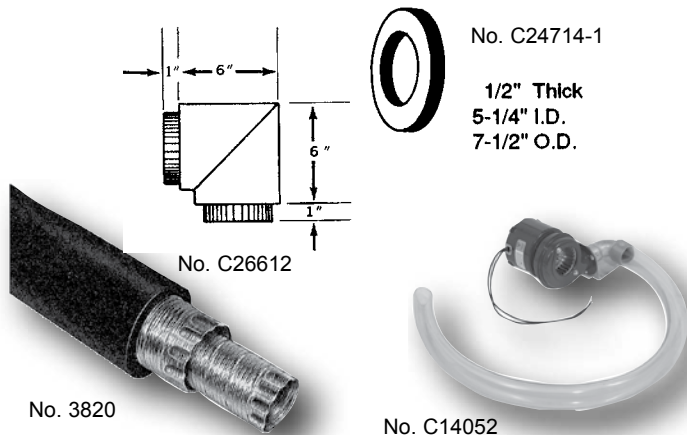


Air shafts are available from Perlick in 12 foot lengths, 5 1/2" O.D., insulated at the factory and consist of a tube within a tube. They can be easily installed in the field using the below listed parts. For systems that are six feet or less, see "Thru-the-Wall Air Shafts" listed below. For dispensing heads and drainers, see pages 31 and 32.

DUAL DUCT AIR SHAFTS AND ACCESSORIES

Item No.	Part No.	Description	List Price
1	C23907	Mounting collar for dispensing head	\$ 98.88
2	3820*	Dual air shaft (12 foot section)	492.35
3	C26609	Wall-mounted air duct connector assy.	204.97
4	1655R	Blower	395.51
5	C16817A1	Blower hanger bracket (2 required)	42.75
	C15366-1	1 Line coupler for 3" hose sections	11.33
	C24459-1	1 Line coupler for 4 1/2" outer hose sections	124.80
	C15365-1	3" Hose to duct air from cooler blower to dual hose air shaft (12 feet long)	41.20
	C15394	2" Waterproof tape (18 foot roll)	9.00
	C15392	Adhesive for insulated outer tube	16.74
	C24715A	3" Hose adapter for 1655R blower	59.74
	C26612	90° Insulating elbow	123.60
	C24714-1	Sealing gasket w/adhesive back	5.67

*Beverage lines not included.



THRU-THE-WALL AIR SHAFTS

For installations up to 6 feet long

A full line of air shafts is available for short run installations up to six feet long, complete with a mounting collar for the dispensing head, 15 CFM blower and bracket and balanced beverage lines. Prices reflect six foot lengths. Shafts under two feet long are equipped with 3/16" I.D. beverage lines four feet long. All other shafts are furnished with balanced connectors nine feet long that can be cut off and sized on the job site.



AIR SHAFTS FOR WALL-MOUNTED DISPENSING HEADS

Part No.	Description	List Price
3812-1B	1 Beverage line	\$ 690.10
3812-2B	2 Beverage lines	739.54
3812-3B	3 Beverage lines	785.89
3812-4B	4 Beverage lines	796.19
3812-5B	5 Beverage lines	854.90

AIR SHAFTS FOR COUNTER-MOUNTED DISPENSING HEADS

Part No.	Description	List Price
3814EL1B	1 Beverage line	\$ 827.09
3814EL2B	2 Beverage lines	869.32
3814EL3B	3 Beverage lines	924.94
3814EL4B	4 Beverage lines	960.99
3814EL5B	5 Beverage lines	1,006.31

BLOWER KIT

Part No.	Description	List Price
C14052	Blower kit	\$ 237.93
C14039	12CFM Blower (only)	174.07
C14043	Elbow adapter assembly	55.62
C22308	3' x 1 1/8" I.D. tubing	2.27



DISPENSING TOWERS (AIR COOLED)



DRAFT ARMS - AIR COOLED

Throw away your brass polish. Perlick Draft Arm dispensing heads are now available in tarnish-free polished brass that stays looking like new without tedious polishing. All Perlick Draft Arms are equipped with a stainless steel supply tube with male Cleveland thread connection. Air baffle included. Faucet knob not included. Available in polished chrome and tarnish-free polished brass.

Part No.	Description	List Price
858-408	1 Faucet - polished chrome	\$ 223.51
858-408TF	1 Faucet - tarnish-free polished brass	366.68
858D408-408	2 Faucet - polished chrome	356.38
858D408-408TF	2 Faucet - tarnish-free polished brass	812.00
3722	3 Faucet - polished chrome	594.31
3722TF	3 Faucet - tarnish-free polished brass	862.11
C15747-1	Air baffle for 12 ¹¹ / ₁₆ " heads	14.42
C23896-1	Air baffle for 3722 series heads	8.87

Note: All draft arms are 12¹¹/₁₆" high (9 ⁷/₁₆" to faucet) except 3722/3722TF which are 1" higher. Extra high draft arms are available; call Perlick for part numbers and prices. To substitute No. 307 Flow Control Faucets (see page 3), contact Perlick for part numbers and prices.



No. 858-408



No. 858D408-408

WRENCHES FOR DRAFT ARMS

Part No.	Description	List Price
4134	For one faucet	\$ 66.95
4135	For two divided faucets	45.00
4136	For two parallel faucets	53.56



No. 4136



No. 4134

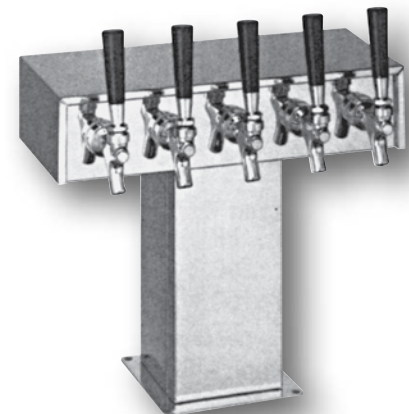


No. 4135

TEE TOWERS - AIR COOLED

Throw away your brass polish. Perlick tarnish-free polished brass stays looking like new without tedious polishing. Perlick Tee Towers are available in polished chrome, stainless steel and tarnish-free polished brass. Height: 13" Faucet Centers: 2³/₄"

Part No.	Description	Width	List Price
3780-3B	3 Faucet - stainless steel	9 ¹ / ₄ "	\$ 610.79
3780-4B	4 Faucet - stainless steel	12"	743.66
3780-5B	5 Faucet - stainless steel	14 ³ / ₄ "	879.62
3780-6B	6 Faucet - stainless steel	17 ³ / ₄ "	1,101.07
3780-3BPC	3 Faucet - polished chrome	9 ¹ / ₄ "	663.32
3780-4BPC	4 Faucet - polished chrome	12"	794.13
3780-5BPC	5 Faucet - polished chrome	14 ³ / ₄ "	967.17
3780-6BPC	6 Faucet - polished chrome	17 ³ / ₄ "	1,212.31
3780-3BTF	3 Faucet - tarnish-free polished brass	9 ¹ / ₄ "	806.49
3780-4BTF	4 Faucet - tarnish-free polished brass	12"	1,026.91
3780-5BTF	5 Faucet - tarnish-free polished brass	14 ³ / ₄ "	1,203.04
3780-6BTF	6 Faucet - tarnish-free polished brass	17 ³ / ₄ "	1,431.70



No. 3780-5B



DISPENSING TOWERS (AIR COOLED)



LUCKY/PANTHER AIR COOLED TOWERS

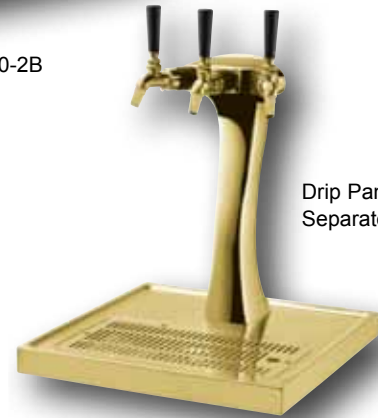
Features an all metal polished chrome or gold tone body. Lucky is available with one or two faucets in polished chrome or tarnish-free gold tone. Panther is available with three or four faucets in polished chrome or tarnish-free gold tone. Black Handles are not included.

Air Cooled Lucky and Panther Towers		
Part No.	Description	List Price
3890-1B	1 Faucet Lucky polished chrome air cooled tower	\$ 895.07
3890-2B	2 Faucet Lucky polished chrome air cooled tower	1,137.12
3895-3B	3 Faucet Maxi Panther polished chrome air cooled tower	1,731.43
3895-4B	4 Faucet Maxi Panther polished chrome air cooled tower	1,966.27
3890GD-1B	1 Faucet Lucky gold tone air cooled tower	895.07
3890GD-2B	2 Faucet Lucky gold tone air cooled tower	1,137.12
3895GD-3B	3 Faucet Maxi Panther gold tone air cooled tower	1,731.43
3895GD-4B	4 Faucet Maxi Panther gold tone air cooled tower	1,966.27



Drip Pans Sold Separately

No. 3890-2B



Drip Pans Sold Separately

No. 3895GD-3B

DRAINER W/RINSER

Drip Pans for Lucky and Panther Towers		
Part No.	Description	List Price
43840SS-R	16x23-1/4 Stainless Steel drainpan w/ Rinser	\$ 525.30



43840SS-R

LUCKY/PANTHER DRIP PANS

Drip Pans for Lucky and Panther Towers		
Part No.	Description	List Price
43839SS	16" x 16" Stainless steel drip pan	\$ 382.00
43839G	16" x 16" Gold tone drip pan	465.00
43840SS*	16" x 23 1/4" Stainless steel drip pan	477.00
43840G*	16" x 23 1/4" Gold tone drip pan	567.00



Drip Pan

* Not recommended for two 4 faucet Panthers.



POWER PAKS, GLYCOL & ACCESSORIES



PP SERIES POWER PAKS

Furnished with a self-priming 70-gallon per hour glycol pump and galvanized exterior. Comes with a 6-foot cord.

PP Series Power Pak



PP Series Power Paks		
Part No.	Description	List Price
PP50	1/5 HP capacity *50 ft.	\$ 2,173.60
PP150	1/3 HP capacity *125 ft.	2,745.60
PP300	1/2 HP capacity *250 ft.	3,068.00

*Based on 75° ambient

4400 SERIES POWER PAKS

Adjustable electronic temperature control w/digital read-out. Furnished with a self-priming, 70 gph glycol pump and stainless steel exterior. Cord kit furnished separately. Available with additional second pump.



4400 Series Power Paks		
Part No.	Description	List Price
4404QC*	1/3 HP Power Pak - 125 ft. limit	\$ 3,195.92
4410QC*	1/2 HP Power Pak - 250 ft. limit	3,650.40
4414QC*	3/4 HP Power Pak - 450 ft. limit	4,087.20
4420QC*	1-1/2 HP Power Pak - 825 ft. limit (275 ft. limit per pump)	5,584.80

*Cord not included

GLYCOL

All PP Series Power Paks require 1-gallon for the bath and one additional gallon for every 85 ft. of trunk housing. All 4400 Series Power Paks require 2-gallons for the bath and one additional gallon for every 85 ft. of trunk housing.

Part No.	Description	List Price
63299-1	One gallon glycol premix (food Grade)	\$ 33.75

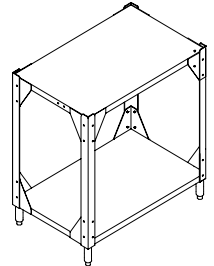
GLYCOL PUMP KITS FIELD INSTALLED (FOR 4400 SERIES)

Pump kits are required when using multiple trunk housings.

Part No.	Description	List Price
4430QC	115V Pump kit for 4410QC Power Pak	\$ 624.00
4431QC	115V Pump kit for 4414QC Power Pak	639.60
4432QC	208-230V Pump kit for 4420QC Power Pak	674.96

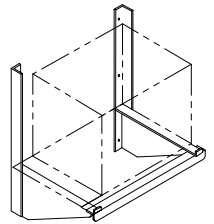
POWER PAK STAND

Power Pak stand		
Part No.	Description	List Price
C21499BSS	Stainless steel two tier rack	\$ 800.00



POWER PAK WALL MOUNTING BRACKET

Part No.	Description	List Price
WB08	For PP50, PP150 & PP300 Power Paks	\$ 208.00
4408SS	For 1/2 HP Power Paks	165.00



COOLANT KITS

Part No.	Description	List Price
C23015	Coolant Kit	\$ 88.40
C23015-1	Coolant Kit tubing (extra per additional foot)	9.78

MISCELLANEOUS POWER PAK ACCESSORIES FOR 4400 SERIES

Part No.	Description	List Price
61468	Overflow bottle kit	\$ 25.00
C22296A-20	Cord kit (20AMP Max.) excludes 4420	29.00
57782	Legs for 4400 Series Power Pak	124.00

TRUNK HOUSINGS (ACCUFLEX TUBING) WITH POLY COOLANT

All product lines are 3/8" and have a barrier to hold in CO₂ and keep out oxygen. All lines are taped to poly glycol lines, vapor sealed and insulated with 3/4" wall insulation. The exterior of the Trunk Housing bundle is wrapped with black PVC tape to protect the insulation and for ease of installation.

Trunk Housings (Accuflex tubing) w/poly coolant			
Part No.	Description	List Price Per Foot (50'-199')	List Price Per Foot (200'+)
4220P-2-1	2-Product lines 2-glycol	\$ 11.34	\$ 10.84
4220P-3-1	3-Product lines 2-glycol	12.12	11.72
4220P-4-1	4-Product lines 2-glycol	13.10	12.65
4220P-5-1	5-Product lines 2-glycol	14.77	14.17
4220P-6-1	6-Product lines 2-glycol	16.38	15.63
4220P-7-1	7-Product lines 2-glycol	17.58	16.83
4220P-8-1	8-Product lines 2-glycol	18.46	18.01
4220P-9-1	9-Product lines 2-glycol	20.23	19.68
4220P-10-1	10-Product lines 2-glycol	22.05	21.35
4220P-12-1	12-Product lines 2-glycol	27.98	27.18

Stock Trunk Housing		
Part No.	Description	List Price
4220P-6-150	6 Line Trunk Housing - 150 ft.	\$ 2,457.00
4220P-8-150	8 Line Trunk Housing - 150 ft.	2,769.00
4220P-10-150	10 Line Trunk Housing - 150 ft.	3,307.20
4220P-12-150	12 Line Trunk Housing - 150 ft.	4,196.40



TRUNK HOUSINGS (SAINT GOBAIN TUBING) WITH POLY COOLANT

All product lines are 3/8" and have a barrier to hold in CO₂ and keep out oxygen. All lines are taped to poly glycol lines, vapor sealed and insulated with 3/4" wall insulation. The exterior of the Trunk Housing bundle is wrapped with black PVC tape to protect the insulation and for ease of installation.

Trunk Housings (Saint Gobain tubing) w/poly coolant			
Part No.	Description	List Price Per Foot (50'-199')	List Price Per Foot (200'+)
4220P-2G-1	2-Product lines 2-glycol	\$ 11.34	\$ 10.84
4220P-3G-1	3-Product lines 2-glycol	12.12	11.72
4220P-4G-1	4-Product lines 2-glycol	13.10	12.65
4220P-5G-1	5-Product lines 2-glycol	14.77	14.17
4220P-6G-1	6-Product lines 2-glycol	16.38	15.63
4220P-7G-1	7-Product lines 2-glycol	17.58	16.83
4220P-8G-1	8-Product lines 2-glycol	18.46	18.01
4220P-9G-1	9-Product lines 2-glycol	20.23	19.68
4220P-10G-1	10-Product lines 2-glycol	22.05	21.35
4220P-12G-1	12-Product lines 2-glycol	27.98	27.18



DISPENSING TOWERS (GLYCOL READY)



WTT-6BPC

WINGED TEE TOWERS - GLYCOL READY

Features all metal stainless steel, polished chrome and tarnish-free brass body available with four, five, six or eight faucets. Tarnish-free products include tarnish-free brass faucets. Polished chrome and stainless steel models include polished chrome faucet(s). Includes a restriction kit to balance each faucet in the field. Black faucet handles not included. Faucet height 13".

Winged Tee Towers Stainless Steel Finish		
Part No.	Faucets	List Price
WTT-4B	4	\$ 1,320.80
WTT-5B	5	1,473.68
WTT-6B	6	1,620.32
WTT-S8B	8	1,965.60

Winged Tee Towers Polished Chrome Finish		
Part No.	Faucets	List Price
WTT-4BPC	4	\$ 1,388.40
WTT-5BPC	5	1,546.48
WTT-6BPC	6	1,700.40
WTT-8BPC	8	2,063.36

Winged Tee Towers Tarnish-Free Brass Finish		
Part No.	Faucets	List Price
WTT-4BTF	4	\$ 1,584.96
WTT-5BTF	5	1,768.00
WTT-6BTF	6	1,944.80
WTT-S8BTF	8	2,358.72

ILLUMINATED WINGED TEE TOWERS

Features all metal stainless steel, polished chrome and tarnish-free brass body available with four, five, six or eight faucets. Tarnish-free products include tarnish-free brass faucets. Polished chrome and stainless steel models include polished chrome faucet(s). Includes a restriction kit to balance each faucet in the field. Illuminated medallions come as shown with white badges. Brand I.D. badges are available from the beer wholesalers. Black faucet handles included. Faucet height 13".

Illuminated Winged Tee Towers Stainless Steel Finish		
Part No.	Faucets	List Price
WTT-4BIM	4	\$ 1,716.00
WTT-5BIM	5	1,967.68
WTT-6BIM	6	2,213.12
WTT-S8BIM	8	2,795.52

Illuminated Winged Tee Towers Polished Chrome Finish		
Part No.	Faucets	List Price
WTT-4BPCIM	4	\$ 1,783.60
WTT-5BPCIM	5	2,040.48
WTT-6BPCIM	6	2,293.20
WTT-S8BPCIM	8	2,893.28

Illuminated Winged Tee Towers Tarnish-Free Brass Finish		
Part No.	Faucets	List Price
WTT-4BTFIM	4	\$ 1,980.16
WTT-5BTFIM	5	2,262.00
WTT-6BTFIM	6	2,537.60
WTT-S8BTFIM	8	3,188.64



WTT-6BPCIM



SEE PAGE 29
FOR FULL LINE OF
FISH EYE PREMIUM
ID BADGES



DISPENSING TOWERS (GLYCOL READY)



WINGED BRIDGE TOWERS

Features all metal stainless steel, polished chrome and tarnish-free brass body available with eight, ten or twelve faucets. Tarnish-free products include tarnish-free brass faucets. Polished chrome and stainless steel models include polished chrome faucet(s). Includes a restriction kit to balance each faucet in the field. Black faucet handles not included. Faucet height 13".

Winged Bridge Towers Stainless Steel Finish		
Part No.	Faucets	List Price
WBT-8B	8	\$ 2,224.56
WBT-10B	10	2,525.12
WBT-12B	12	2,854.80

Winged Bridge Towers Polished Chrome Finish		
Part No.	Faucets	List Price
WBT-8BPC	8	\$ 2,335.84
WBT-10BPC	10	2,652.00
WBT-12BPC	12	2,997.28



WBT-12BPC

Winged Bridge Towers Tarnish-Free Brass Finish		
Part No.	Faucets	List Price
WBT-8BTF	8	\$ 2,669.68
WBT-10BTF	10	3,030.56
WBT-12BTF	12	3,425.76

ILLUMINATED WINGED BRIDGE TOWERS

Features all metal stainless steel, polished chrome and tarnish-free brass body available with eight, ten or twelve faucets. Tarnish-free products include tarnish-free brass faucets. Polished chrome and stainless steel models include polished chrome faucet(s). Includes a restriction kit to balance each faucet in the field. Illuminated medallions come as shown with white badges. Brand I.D. badges are available from the beer wholesalers. Black faucet handles included. Faucet height 13".



WBT-12BPCIM

Illuminated Winged Bridge Towers Stainless Steel Finish		
Part No.	Faucets	List Price
WBT-8BIM	8	\$ 3,034.72
WBT-10BIM	10	3,572.40
WBT-12BIM	12	4,119.44

Illuminated Winged Bridge Towers Polished Chrome Finish		
Part No.	Faucets	List Price
WBT-8BPCIM	8	\$ 3,146.00
WBT-10BPCIM	10	3,699.28
WBT-12BPCIM	12	4,261.92



**SEE PAGE 29
FOR FULL LINE OF
FISH EYE PREMIUM
ID BADGES**

Illuminated Winged Bridge Towers Tarnish-Free Brass Finish		
Part No.	Faucets	List Price
WBT-8BTFIM	8	\$ 3,479.84
WBT-10BTFIM	10	4,077.84
WBT-12BTFIM	12	4,690.40

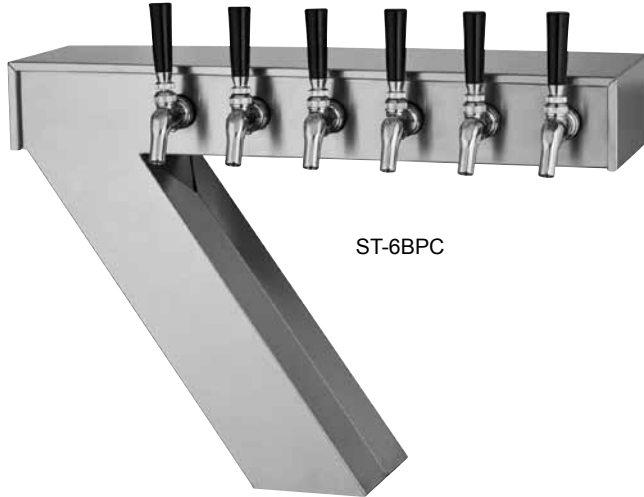


DISPENSING TOWERS (GLYCOL READY)



SEVEN TOWER

Seven Tower available with stainless steel, polished chrome or tarnish-free brass finish. Includes a restriction kit to balance each faucet in the field. Black faucet handles not included. Faucet height 13", overall height "16-1/2".



ST-6BPC

Seven Towers Stainless Steel Finish		
Part No.	Faucets	List Price
ST-4B	4	\$ 1,620.32
ST-5B	5	1,896.96
ST-6B	6	2,019.68

Seven Towers Polished Chrome Finish		
Part No.	Faucets	List Price
ST-4BPC	4	\$ 1,701.44
ST-5BPC	5	1,991.60
ST-6BPC	6	2,120.56

Seven Towers Tarnish-Free Brass Finish		
Part No.	Faucets	List Price
ST-4BTF	4	\$ 1944.80
ST-5BTF	5	2,276.56
ST-6BTF	6	2,423.20

ILLUMINATED SEVEN TOWER

Seven Tower available with stainless steel, polished chrome or tarnish-free brass finish. Includes a restriction kit to balance each faucet in the field. Illuminated medallions come as shown with white badges. Brand I.D. badges are available from the beer wholesalers. Black faucet handles included. Faucet height 13", overall height 16-1/2".



ST-6BTFIM

Illuminated Seven Towers Stainless Steel Finish		
Part No.	Faucets	List Price
ST-4BIM	4	\$ 2,015.52
ST-5BIM	5	2,390.96
ST-6BIM	6	2,612.48

Illuminated Seven Towers Polished Chrome Finish		
Part No.	Faucets	List Price
ST-4BPCIM	4	\$ 2,096.64
ST-5BPCIM	5	2,485.60
ST-6BPCIM	6	2,713.36

Illuminated Seven Towers Tarnish-Free Brass Finish		
Part No.	Faucets	List Price
ST-4BTFIM	4	\$ 2,340.00
ST-5BTFIM	5	2,770.56
ST-6BTFIM	6	3,016.00



**SEE PAGE 29
FOR FULL LINE OF
FISH EYE PREMIUM
ID BADGES**



DISPENSING TOWERS (GLYCOL READY)



LUCKY TOWERS

Feature all metal polished chrome or gold tone body and are available with one, two or three faucet(s). Gold tone include tarnish-free brass faucet(s). Polished chrome include polished chrome faucet(s). Black faucet handles not included. Faucet height 13", overall height 16-1/16"

Standard Lucky Towers		
Part No.	Description	List Price
LT-1B	1 Faucet Lucky polished chrome	\$ 830.96
LT-1BGD	1 Faucet Lucky gold tone	830.96
LT-2B	2 Faucet Lucky polished chrome	1,046.24
LT-2BGD	2 Faucet Lucky gold tone	1,046.24
LT-3B	3 Faucet Lucky polished chrome	1,295.84
LT-3BGD	3 Faucet Lucky gold tone	1,295.84



LT-2B

Drip Pans sold separately

Iced Lucky Towers*		
Part No.	Description	List Price
LT-F-1B	1 Faucet Lucky polished chrome	\$ 967.20
LT-F-2B	2 Faucet Lucky polished chrome	1,183.52

***NOTE** In order to build a layer of ice on the exterior of the tower, an additional power pak is required, located as near as possible to the tower.

PANTHER TOWERS

Feature all metal polished chrome or gold tone body and are available with three or four faucets. Gold tone include tarnish-free brass faucets. Polished chrome include polished chrome faucets. Black faucet handles not included. Faucet height 13", overall height 15-3/4"

Standard Panther Towers		
Part No.	Description	List Price
PT-3B	3 Faucet Panther polished chrome	\$ 1,563.12
PT-3BGD	3 Faucet Panther gold tone	1,563.12
PT-4B	4 Faucet Panther polished chrome	1,784.64
PT-4BGD	4 Faucet Panther gold tone	1,784.64



PT-3B

Drip Pans sold separately

Iced Panther Towers*		
Part No.	Description	List Price
PT-F-3B	3 Faucet Panther polished chrome	\$ 1,731.60
PT-F-4B	4 Faucet Panther polished chrome	1,933.36

***NOTE** In order to build a layer of ice on the exterior of the tower, an additional power pak is required, located as near as possible to the tower.



DISPENSING TOWERS (GLYCOL READY)



ILLUMINATED SEXY TOWERS

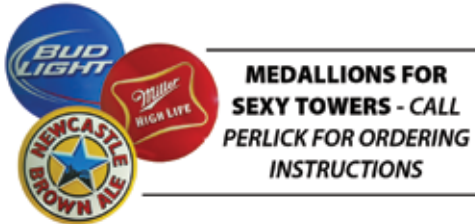
Feature all metal polished chrome or gold tone body and are available with three faucets. Gold tone include tarnish-free brass faucets. Polished chrome include polished chrome faucets. This tower is offered with Glycol cooled or flooded to put a coat of ice on the outside of the tower. Illuminated medallions come as shown with white badges. Brand I.D. badges are available from the beer wholesalers. Black faucet handles are included.

Sexy Towers		
Part No.	Description	List Price
SY-3BIM	3 Faucet Sexy polished chrome illuminated (glycol cooled)	\$ 1,757.60
SY-3BGDIM	3 Faucet Sexy gold tone illuminated (glycol cooled)	1,820.00



SY-3BIM

Iced Sexy Tower		
Part No.	Description	List Price
SY-F-3BIM	3 Faucet Sexy polished chrome illuminated (iced)	\$ 1,788.80



43840SS

LUCKY, PANTHER AND SEXY DRIP PANS

Part No.	Description	List Price
43839SS	16" x 16" Stainless steel Drip Pan	\$ 382.00
43839G	16" x 16" Gold tone Drip Pan	465.00
43840SS*	16" x 23-3/4" Stainless steel Drip Pan	477.00
43840G*	16" x 23-1/4" Gold tone Drip Pan	567.00

* Not recommended for two 4-faucet Panthers

STAINLESS STEEL DRAINER W/RINSER

Part No.	Description	List Price
43840SS-R	16" x 23-3/4" SS Drainer w/Rinser	\$ 525.30



43840SS-R



DISPENSING TOWERS (GLYCOL READY)

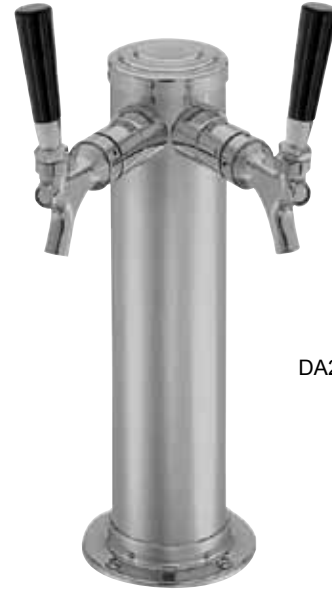


3" O.D. DRAFT ARMS

Draft Arms are available with polished chrome or tarnish-free brass finish. Includes a restriction kit to balance each faucet in the field. Black faucet handles not included.

Polished Chrome Draft Arms				
Part No.	Description	Faucet Height	Overall Height	List Price
DA1PC	Polished chrome single faucet Draft Arm	9-1/2"	12-3/4"	\$ 518.96
DA2PC	Polished chrome two faucet Draft Arm	9-1/2"	12-3/4"	726.96
DA3PC	Polished chrome three faucet Draft Arm	10-1/2"	13-3/4"	965.12

Tarnish-Free Brass Draft Arms				
Part No.	Description	Faucet Height	Overall Height	List Price
DA1TF	Tarnish-free brass single faucet Draft Arm	9-1/2"	12-3/4"	\$ 725.92
DA2TF	Tarnish-free brass two faucet Draft Arm	9-1/2"	12-3/4"	1,018.16
DA3TF	Tarnish-free brass three faucet Draft Arm	10-1/2"	13-3/4"	1,353.04



DA2PC

EXTRA HIGH DRAFT ARMS

To order draft arms higher than standard, add suffix number and additional amount to list price for the head selected.

(Example: to order a one faucet draft arm that is 13-3/4" tall, order Part No. DA1PC1. List price \$581.96)

Extra High Draft Arms						
Suffix	Add (List)	No. of Faucets	Dispensing Head	Additional Height	Faucet Height	Overall Height
1	\$ 63.00	1	Draft Arm	1"	10-1/2"	13-3/4"
3	67.00	1	Draft Arm	3"	11-1/2"	15-3/4"
1	63.00	2	Draft Arm	1"	10-1/2"	13-3/4"
3	67.00	2	Draft Arm	3"	11-1/2"	15-3/4"
2	67.00	3	Draft Arm	2"	12-1/2"	15-3/4"

4" O.D. DRAFT ARMS

4" Draft Arms				
Part No.	Description	Faucet Height	Overall Height	List Price
DA4-3BPC	Polished chrome - 3 faucet	10-1/2"	14"	\$ 1,045.20
DA4-4BPC	Polished chrome - 4 faucet	10-1/2"	14"	1,170.00
DA4-3BTF	Tarnish-free brass - 3 faucet	10-1/2"	14"	1,357.20
DA4-4BTF	Tarnish-free brass - 4 faucet	10-1/2"	14"	1,424.80



DA4-4BPC

O.D. DRIP PANS

Part No.	Description	List Price
66596	Drip Pan 8" x 14" w/ 6" cut out	\$ 360.50
66596TF	TF Brass Drip Pan 8" x 14" w/6" cut out	448.05

Drip Pans sold separately



DISPENSING TOWERS (GLYCOL READY)



TEE TOWERS

Tee Towers available with stainless steel, polished chrome or tarnish-free brass finish. Includes a restriction kit to balance each faucet in the field. Faucets are on 2-3/4" centers/ Black faucet handles not included. Faucet Height 9-1/2", Overall Height 12-15/16".



TT6SS

Polished Chrome Tee Towers

Part No.	Description	List Price
TT3PC	Polished chrome 3 faucet Tee Tower	\$ 838.24
TT4PC	Polished chrome 4 faucet Tee Tower	947.44
TT5PC	Polished chrome 5 faucet Tee Tower	1,211.60
TT6PC	Polished chrome 6 faucet Tee Tower	1,337.44
TT7PC	Polished chrome 7 faucet Tee Tower	1,504.88
TT8PC	Polished chrome 8 faucet Tee Tower	1,650.48

Stainless Steel Tee Towers

Part No.	Description	List Price
TT3SS	Stainless steel 3 faucet Tee Tower	\$ 748.80
TT4SS	Stainless steel 4 faucet Tee Tower	901.68
TT5SS	Stainless steel 5 faucet Tee Tower	1,127.36
TT6SS	Stainless steel 6 faucet Tee Tower	1,276.08
TT7SS	Stainless steel 7 faucet Tee Tower	1,369.68
TT8SS	Stainless steel 8 faucet Tee Tower	1,502.80

Tarnish-Free Brass Tee Towers

Part No.	Description	List Price
TT3TF	Tarnish-free 3 faucet Tee Tower	\$ 875.68
TT4TF	Tarnish-free 4 faucet Tee Tower	1,030.64
TT5TF	Tarnish-free 5 faucet Tee Tower	1,287.52
TT6TF	Tarnish-free 6 faucet Tee Tower	1,459.12
TT7TF	Tarnish-free 7 faucet Tee Tower	1,629.68
TT8TF	Tarnish-free 8 faucet Tee Tower	1,717.04

BRIDGE TOWERS

Bridge Towers available with stainless steel, polished chrome or tarnish-free brass finish. Includes a restriction kit to balance each faucet in the field. Black faucet handles not included. Faucet Height 9-1/2", Overall Height 12-15/16"

Stainless Steel Bridge Towers

Part No.	Description	List Price
BT8BSS	Stainless steel 8 faucet Bridge Tower	\$ 2,231.84
BT10BSS	Stainless steel 10 faucet Bridge Tower	2,602.08
BT12BSS	Stainless steel 12 faucet Bridge Tower	2,826.72
BT16BSS	Stainless steel 16 faucet Bridge Tower	3,958.24
BT20BSS	Stainless steel 20 faucet Bridge Tower	4,422.08



BT8BSS

Polished Chrome Bridge Towers

Part No.	Description	List Price
BT8BPC	Polished Chrome 8 faucet Bridge Tower	\$ 2,380.56
BT10BPC	Polished Chrome 10 faucet Bridge Tower	2,826.72
BT12BPC	Polished Chrome 12 faucet Bridge Tower	2,974.40
BT16BPC	Polished Chrome 16 faucet Bridge Tower	4,136.08
BT20BPC	Polished Chrome 20 faucet Bridge Tower	4,620.72

Tarnish-Free Brass Bridge Towers

Part No.	Description	List Price
BT8BTF	Tarnish-free Brass 8 faucet Bridge Tower	\$ 2,550.08
BT10BTF	Tarnish-free Brass 10 faucet Bridge Tower	2,973.36
BT12BTF	Tarnish-free Brass 12 faucet Bridge Tower	3,230.24
BT16BTF	Tarnish-free Brass 16 faucet Bridge Tower	4,524.00
BT20BTF	Tarnish-free Brass 20 faucet Bridge Tower	5,024.40

EXTRA HIGH TEE TOWERS AND BRIDGE TOWERS

To order towers higher than standard, add suffix number and additional amount to list price for the head selected. (Example: to order a three faucet polished chrome Tee Tower that is 15-9/16" tall order part No. TT3BPC2. List price \$901.24).

Extra High Towers

Suffix	Add (List)	No. of Faucets	Dispensing Head	Additional Height	Faucet Height	Overall Height
2	\$ 63.00	ALL	Tee Tower	2-5/8"	12-1/8"	15-9/16"
4	67.00	ALL	Tee Tower	3-3/4"	13-1/4"	16-11/16"



DISPENSING TOWERS (GLYCOL READY)



SPACESAVER UNDERBAR HEADS

Available with lines extending out of back or bottom of heads. Black Faucet handles not included.

13" Spacesaver (with leads out back of head)		
Part No.	Description	List Price
UB13-2B	13" Spacesaver with 2 faucets	\$ 828.88
UB13-3B	13" Spacesaver with 3 faucets	966.16
UB13-4B	13" Spacesaver with 4 faucets	1,115.92



UB13-3B

13" Spacesaver (with leads out bottom of head)		
Part No.	Description	List Price
UB13-2B-BTM	13" Spacesaver with 2 faucets	\$ 828.88
UB13-3B-BTM	13" Spacesaver with 3 faucets	966.16
UB13-4B-BTM	13" Spacesaver with 4 faucets	1,115.92

SPACESAVER UNDERBAR HEADS

Available with lines extending out of back or bottom of heads. Black Faucet handles not included.

21" Spacesaver (with leads out back of head)		
Part No.	Description	List Price
UB21-2B	21" Spacesaver with 2 faucets	\$ 966.16
UB21-3B	21" Spacesaver with 3 faucets	1,041.04
UB21-4B	21" Spacesaver with 4 faucets	1,189.76
UB21-5B	21" Spacesaver with 5 faucets	1,337.44
UB21-6B	21" Spacesaver with 6 faucets	1,561.04
UB21-7B	21" Spacesaver with 7 faucets	1,784.64



UB21-4B

21" Spacesaver (with leads out bottom of head)		
Part No.	Description	List Price
UB21-3B-BTM	21" Spacesaver with 3 faucets	\$ 1,041.04
UB21-4B-BTM	21" Spacesaver with 4 faucets	1,189.76
UB21-5B-BTM	21" Spacesaver with 5 faucets	1,337.44
UB21-6B-BTM	21" Spacesaver with 6 faucets	1,561.04
UB21-7B-BTM	21" Spacesaver with 7 faucets	1,784.64



ROMA QUICK CHILL TOWERS

Faucet Height 13-1/8", Overall Height 20-1/4".

Black faucet handles not included.

Color Key — BK=Black, WH=White, BL=Blue, GR=Green



RT-WH-4B
Roma Tower

Roma Quick Chill Towers (Brass)

Part No.	List Price	Part No.	List Price
RT-BK-3B	\$ 1,801.28	RT-BL-3B	\$ 1,801.28
RT-BK-4B	1,930.24	RT-BL-4B	1,930.24
RT-BK-5B	2,058.16	RT-BL-5B	2,058.16
RT-WH-3B	1,801.28	RT-GR-3B	1,801.28
RT-WH-4B	1,930.24	RT-GR-4B	1,930.24
RT-WH-5B	2,058.16	RT-GR-5B	2,058.16

Roma Quick Chill Towers (Chrome)

Part No.	List Price	Part No.	List Price
RT-BK-3BPC	\$ 1,801.28	RT-BL-3BPC	\$ 1,801.28
RT-BK-4BPC	1,930.24	RT-BL-4BPC	1,930.24
RT-BK-5BPC	2,058.16	RT-BL-5BPC	2,058.16
RT-WH-3BPC	1,801.28	RT-GR-3BPC	1,801.28
RT-WH-4BPC	1,930.24	RT-GR-4BPC	1,930.24
RT-WH-5BPC	2,058.16	RT-GR-5BPC	2,058.16



TC-BL-3B
Torino Collar

TORINO QUICK CHILL TOWERS

Faucet Height 16-5/8", Overall Height 26-7/8".

Black faucet handles not included.

Color Key — WH=White, BL=Blue, GR=Green

Torino Collar

Part No.	List Price
TC-WH-1B	\$ 1,906.32
TC-WH-2B	2,140.32
TC-WH-3B	2,390.96
TC-BL-1B	1,906.32
TC-BL-2B	2,140.32
TC-BL-3B	2,390.96
TC-GR-1B	1,906.32
TC-GR-2B	2,140.32
TC-GR-3B	2,390.96



WALL MOUNT DISPENSING HEADS



AIR COOLED WALL MOUNT DISPENSING HEADS

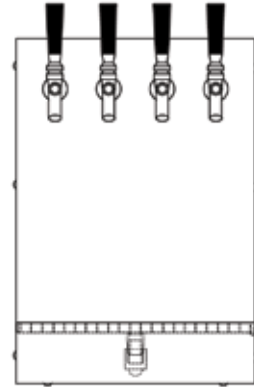
Stainless steel wall mount towers include a built-in drainer. The 2 and 4 faucet model is 12 1/4" wide and the 6 and 8 faucet model is 23" wide.

2 & 4 FAUCET WALL MOUNT DISPENSER

Part No.	Description	List Price
3774A2B	2 Faucet stainless steel dispenser with drainer	\$ 1,029.60
3774A4B	4 Faucet stainless steel dispenser with drainer	1,102.20

6 & 8 FAUCET WALL MOUNT DISPENSER

Part No.	Description	List Price
3775A6B	6 Faucet stainless steel dispenser with drainer	\$ 1,291.62
3775A8B	8 Faucet stainless steel dispenser with drainer	1,405.95



3774-4B Air Cooled Wall Mounted Dispenser

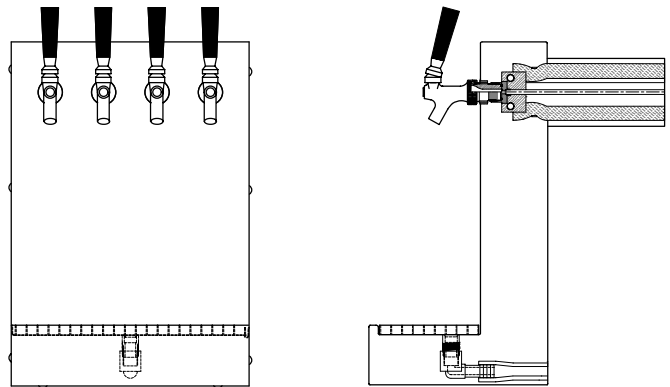
WALL MOUNT DISPENSING HEAD

Stainless steel Wall Mount Dispensing Heads include a built-in drainer. The 2 and 4 faucet model is 12-1/4" wide and the 6 and 8 faucet model is 23" wide. Includes a restriction kit to balance each faucet in the field. Black faucet handles not included.

Faucet Height 10-3/8", Overall Height 17-3/4".

2 & 4 Faucet Wall Mount Dispenser		
Part No.	Description	List Price
WM-A2SS	2 Faucet stainless steel dispenser w/drain	\$ 971.36
WM-A4SS	4 Faucet stainless steel dispenser w/drain	1,146.08

6 & 8 Faucet Wall Mount Dispenser		
Part No.	Description	List Price
WM-A6SS	6 Faucet stainless steel dispenser w/drain	\$ 1,419.60
WM-A8SS	8 Faucet stainless steel dispenser w/drain	1,856.40



WM4SS Wall Mounted Dispenser



DRIP PANS AND SPACESAVER DRAINERS



DRIP PANS Equipped with a four inch, 1/2" O.D. drain socket and a removable glass rack.

Top Mounted Drip Pans	
Stainless Steel	
Part No	List Price
C18635A	\$ 161.00
C18640A	181.00
C18645A	203.00
C18650A	259.00
C18655	265.00
C18660 - 7 ³ / ₄ " x 46 ⁹ / ₁₆ "	354.00
5015	176.00
5020	176.00
5025	186.00
5028	203.00
5030	270.00

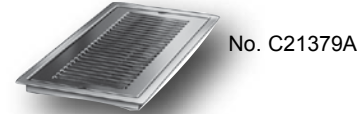
Top Mounted Drip Pans		
Tarnish-free Polished Brass		
Part No	List Price	Width x Length
C18635ATF	\$ 366.00	7 ³ / ₄ " x 8 ³ / ₄ "
C18640ATF	386.00	7 ³ / ₄ " x 14 ³ / ₁₆ "
C18645ATF	404.00	7 ³ / ₄ " x 20 ³ / ₄ "
C18650ATF	594.00	7 ³ / ₄ " x 26 ³ / ₄ "
C18655TF	612.00	7 ³ / ₄ " x 33"
—	—	—
5015TF	305.00	4 ⁷ / ₈ " x 5 ³ / ₈ "
5020TF	323.00	4 ⁷ / ₈ " x 13 ³ / ₄ "
5025TF	353.00	4 ⁷ / ₈ " x 19"
5028TF	426.00	4 ⁷ / ₈ " x 24"
5030TF	650.00	4 ⁷ / ₈ " x 37"



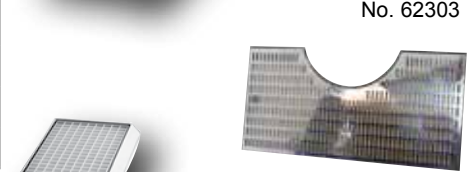
No. C18635A



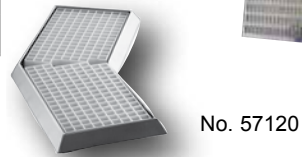
No. 5020



No. C21379A



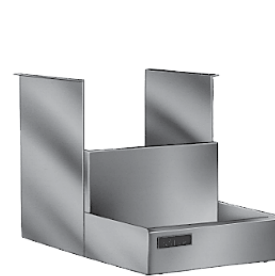
No. 62303



No. 57120

Recessed Drip Pans	
Stainless Steel	
Part No	List Price
C11988A	\$ 159.00
C21379A	187.00
C32257	212.00
C32357	214.00
58979	276.00

Recessed Drip Pans		
Tarnish-free Polished Brass		
Part No	List Price	Width x Length
C11988ATF	\$371.00	7 ⁵ / ₈ " x 8 ³ / ₄ "
C21379ATF	404.00	7 ⁵ / ₈ " x 14 ¹³ / ₁₆ "
C32257TF	519.00	7 ⁵ / ₈ " x 20 ⁵ / ₈ "
C32357TF	439.00	5 ¹ / ₈ " x 18 ¹³ / ₁₆ "
58979TF	660.00	5 ¹ / ₈ " x 37 ⁵ / ₁₆ "



No. 3713-1



No. 3713

CUTOUT DRIP PANS

Part No.	Head Type	Head Diam.	Length	Width	List Price
62303	Brass Roma, Gambrinus	8 ¹ / ₂ "	19 ³ / ₄ "	10"	\$ 404.00
62303SS	Stainless steel Roma, Gambrinus	8 ¹ / ₂ "	19 ³ / ₄ "	10"	519.00
62304	Brass Torino	10"	19 ³ / ₄ "	10"	519.00

ANGLED DRIP PANS

Part No.	Description	Length	Width	List Price
57120	Stainless steel	19 ¹ / ₄ "	6 ¹ / ₂ "	\$ 340.00
57120TF	Tarnish-free brass	19 ¹ / ₄ "	6 ¹ / ₂ "	524.00

Note: Not for use with 6 faucet Gambrinus.

WALL MOUNTED DRIP PANS FOR 670 SERIES

Part No.	Description	Faucet Centers	List Price
670	0 Holes	—	\$ 273.00
670-2	2 Holes	—	302.50
670-3	3 Holes	6"	311.25
670-4	4 Holes	4"	324.50
670-5	5 Holes	3"	334.40
670-6	6 Holes	2 ³ / ₄ "	345.40

UNDERBAR DRIP PANS FOR SPACESAVER HEADS

Part No.	Description	List Price
3713	13" Drip pan w/skirt	\$ 718.00
3713-1	13" Drip pan only	408.00
3721	21" Drip pan w/skirt	749.00
3721-1	21" Drip pan only	461.00



No. 670

BREWERY FITTINGS





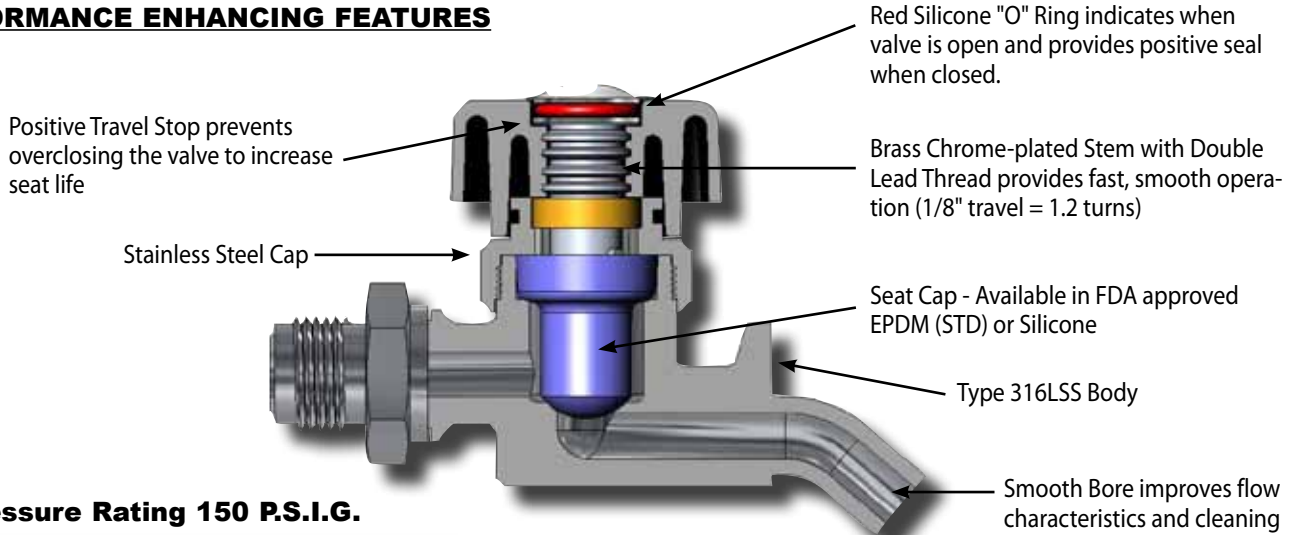
BREWERY FITTINGS - SAMPLING VALVES



SAMPLING VALVES

Available with Sanitary Thread, Male Taper Pipe Thread or Tri-clamp Ends and **your choice of a Molded Black Handle or Machined Solid Amber Handle.**

PERFORMANCE ENHANCING FEATURES



Pressure Rating 150 P.S.I.G.



Bacteria-proof Thread	
Part No.	Description
F38300SS	Sample Valve with bacteria-proof thread
F38300SSAMBER	Sample Valve w/Amber Handle with bacteria-proof thread
F11284-1	Fibre Washer

Male Pipe Thread	
Part No.	Description
F38301SS	Sample Valve with 1/8" male NPT
F38301SSAMBER	Sample Valve w/Amber Handle with 1/8" male NPT
F38302SS	Sample Valve with 1/4" male NPT
F38302SSAMBER	Sample Valve w/Amber Handle with 1/4" male NPT
F38303SS	Sample Valve with 3/8" male NPT
F38303SSAMBER	Sample Valve w/Amber Handle with 3/8" male NPT

CALL FOR PRICING!

Tri-Clamp	
Part No.	Description
F38304SS	Sample Valve with 1/2" Tri-Clamp end
F38304SSAMBER	Sample Valve w/Amber Handle with 1/2" Tri-Clamp end
F38305SS	Sample Valve with 1-1/2" Tri-Clamp end
F38305SSAMBER	Sample Valve w/Amber Handle with 1-1/2" Tri-Clamp end
F38306SS	Sample Valve with 2" Tri-Clamp end
F38306SSAMBER	Sample Valve w/Amber Handle with 2" Tri-Clamp end

CALL FOR PRICING!



CALL FOR PRICING!

Replacement Parts for ALL VALVES

Part No.	Description
F38252	Bonnet Assembly
F38252AMBER	Bonnet Assembly w/Amber Handle
F38229-1	EPDM Seat Cup
F38229-2	Silicone Seat Cup
F38230-1	Silicone "O" Ring

CALL FOR PRICING!

Accessories for ALL VALVES

Part No.	Description
F38250SS	Wrench
F38459-1SS	Heat Shield
F38244SS532	Capping Device
F38245SS532	Locking Capping Device
F2272SS540	5 Turn Proof Coil (pigtail)*
F2272HSS540	15 Turn Proof Coil (pigtail)*
F1260	Gasket (pigtail)

*NOTE: 5 Turn Proof Coil (shown right) and 15 Turn Proof Coil are in stock. Others are available upon application.



Sample Valve Attachment for 3/8" I.D. Hose

Part No.	Description
F16363SS540	Attachment, points up
F16364SS540	Attachment, points down

CALL FOR PRICING!

Sample Valve Attachment with 1/4" Female N.P.T.

Part No.	Description
F1005-1SS540	Attachment, points up
F34808SS540	Attachment, points down

NEW



**Keofitt Sampling Valves
NOW AVAILABLE AT PERLICK**
Call for more info



TANK ADAPTERS & RELIEF VALVE REPLACEMENT PARTS



WELD-IN TANK ADAPTERS

316LSS Sampling Valve Tank Adapters for F38300SS and F38300SSAMBER Sampler Valves.



Contoured Sampling Valve Tank Adapter



Flat Back Sampling Valve Tank Adapter

TRI-CLAMP SAMPLING PORT

For use with needle extractions. Call for available connections.



Tri-clamp Sampling Port

CONTOURED to fit schedule 5 pipe from 1-1/2" through 10" sizes.

Part No.	Size
F23847-1SS540	1-1/2"
F23847-2SS540	2"
F23847-3SS540	2-1/2"
F23847-4SS540	3"
F23847-6SS540	4"
F23847-8SS540	6"
F23847-9SS540	8"
F23847-10SS540	10"

FLAT BACK Adapter - No Contour

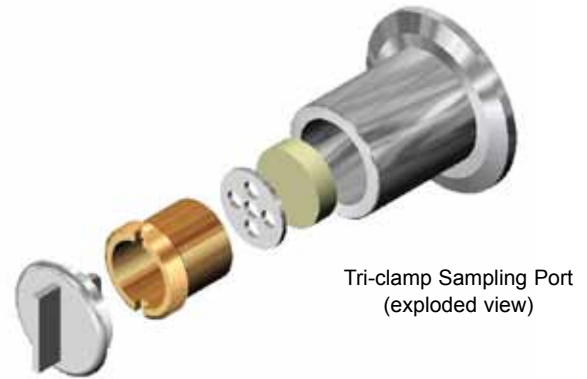
Part No.
F32428-2SS540

CALL FOR PRICING!

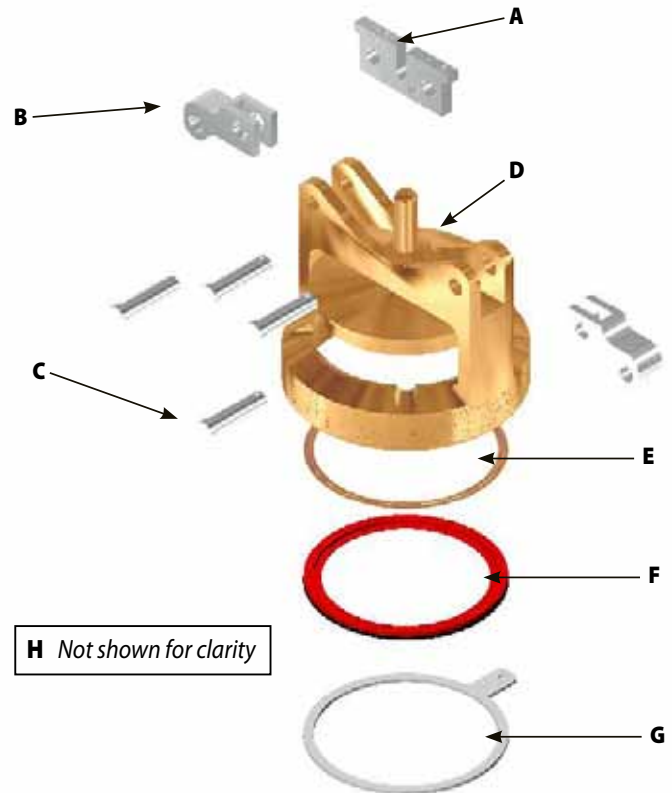
Relief Valve Replacement Parts

	Part No.	Description
A	F1732A508	Breaking Bar Rating Per Equipment
B	F18450-2-507	Bar Holder (2)
C	F1723-507	Pins (4)
D	F1715A503	Body
E	F2109	Bead Ring
F	F1722	Diaphragm
G	F38360-1	Keeper Ring
H	F2108	Seal Wire (<i>not shown above</i>)

CALL FOR PRICING!



Tri-clamp Sampling Port (exploded view)



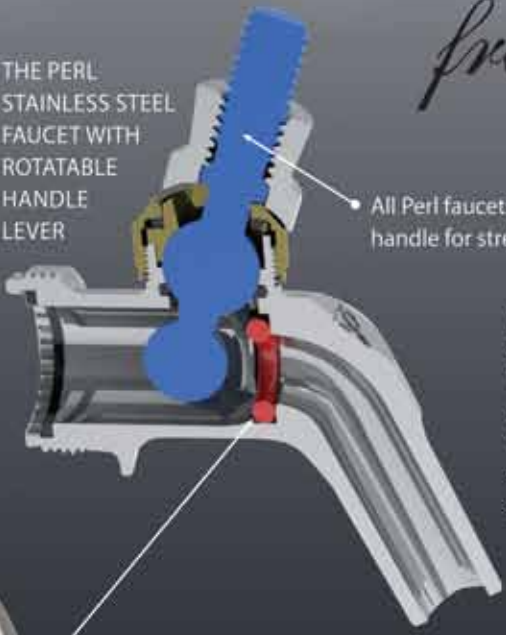
H Not shown for clarity

Perl

from



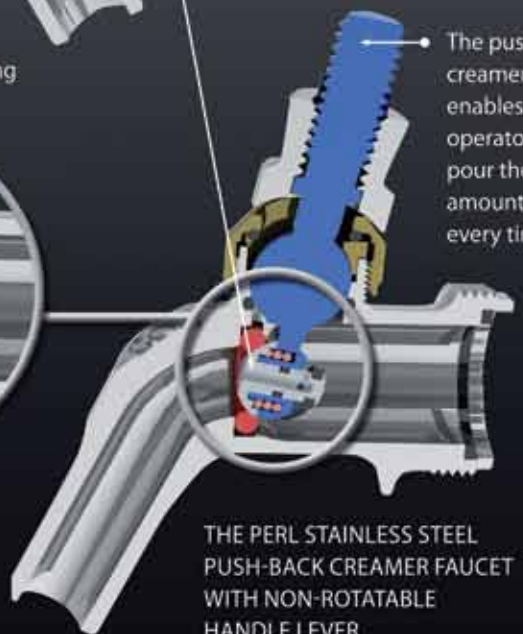
THE PERL
STAINLESS STEEL
FAUCET WITH
ROTATABLE
HANDLE
LEVER



All Perl faucets include a stainless steel handle for strength and sanitation.

Pushing the Perl faucet handle back moves a stainless steel piston, exposing small holes. The turbulence created by beer passing through the holes produces a creamy head. When the handle is released, an internal compression spring moves the piston back, stopping the beer flow.

Revolutionary floating O-ring



The push-back creamer faucet enables the operator to pour the precise amount of foam every time.

THE PERL STAINLESS STEEL
PUSH-BACK CREAMER FAUCET
WITH NON-ROTATABLE
HANDLE LEVER

8 3 0 0 W. G O O D H O P E R O A D • M I L W A U K E E , W I S C O N S I N 5 3 2 2 3
W W W . P E R L I C K . C O M • 8 0 0 . 5 5 8 . 5 5 9 2



8300 West Good Hope Road • Milwaukee, WI 53223 • Phone 414.353.7060 • Fax 414.353.7069
Toll Free 800.558.5592 • E-Mail perlick@perlick.com • www.perlick.com